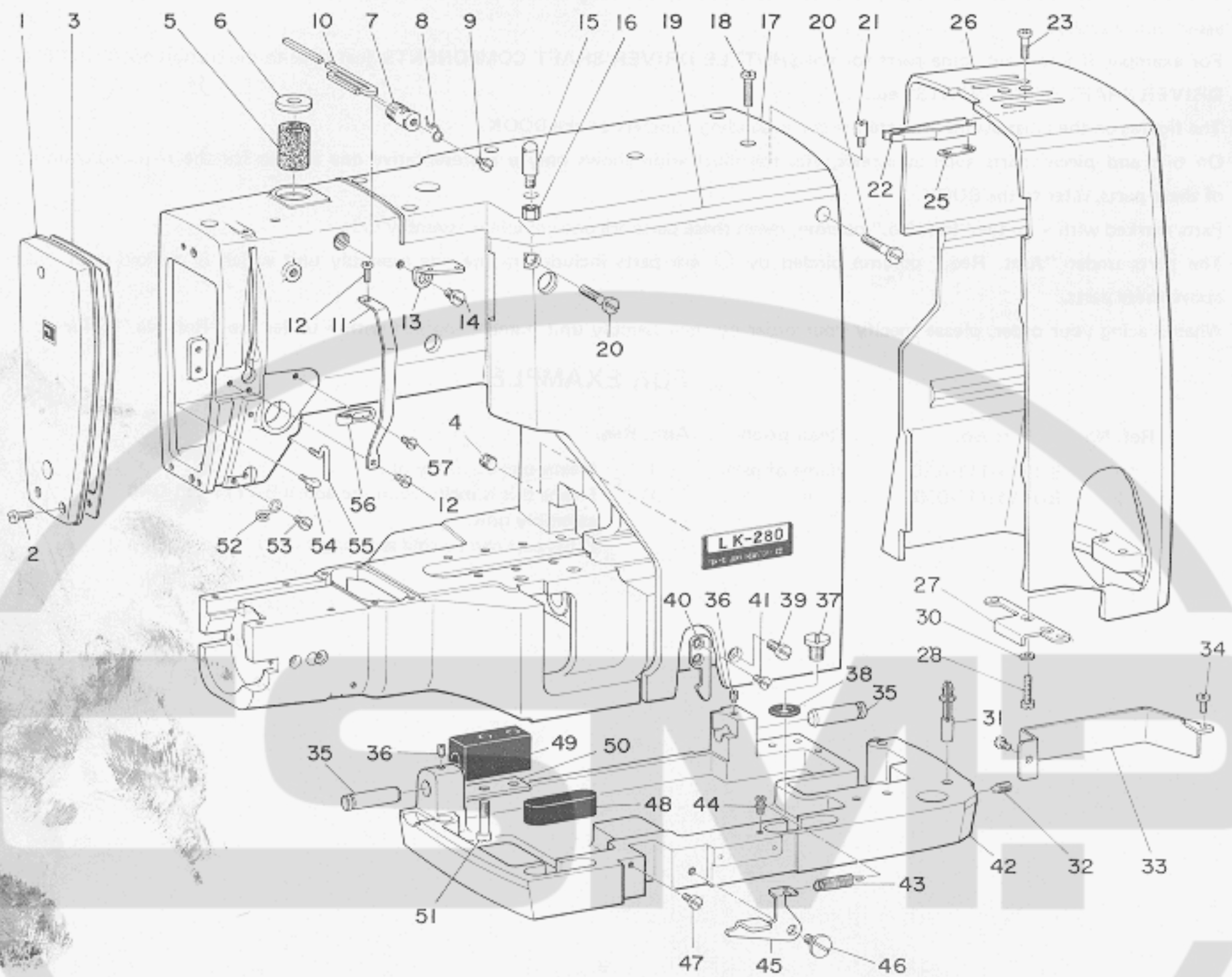
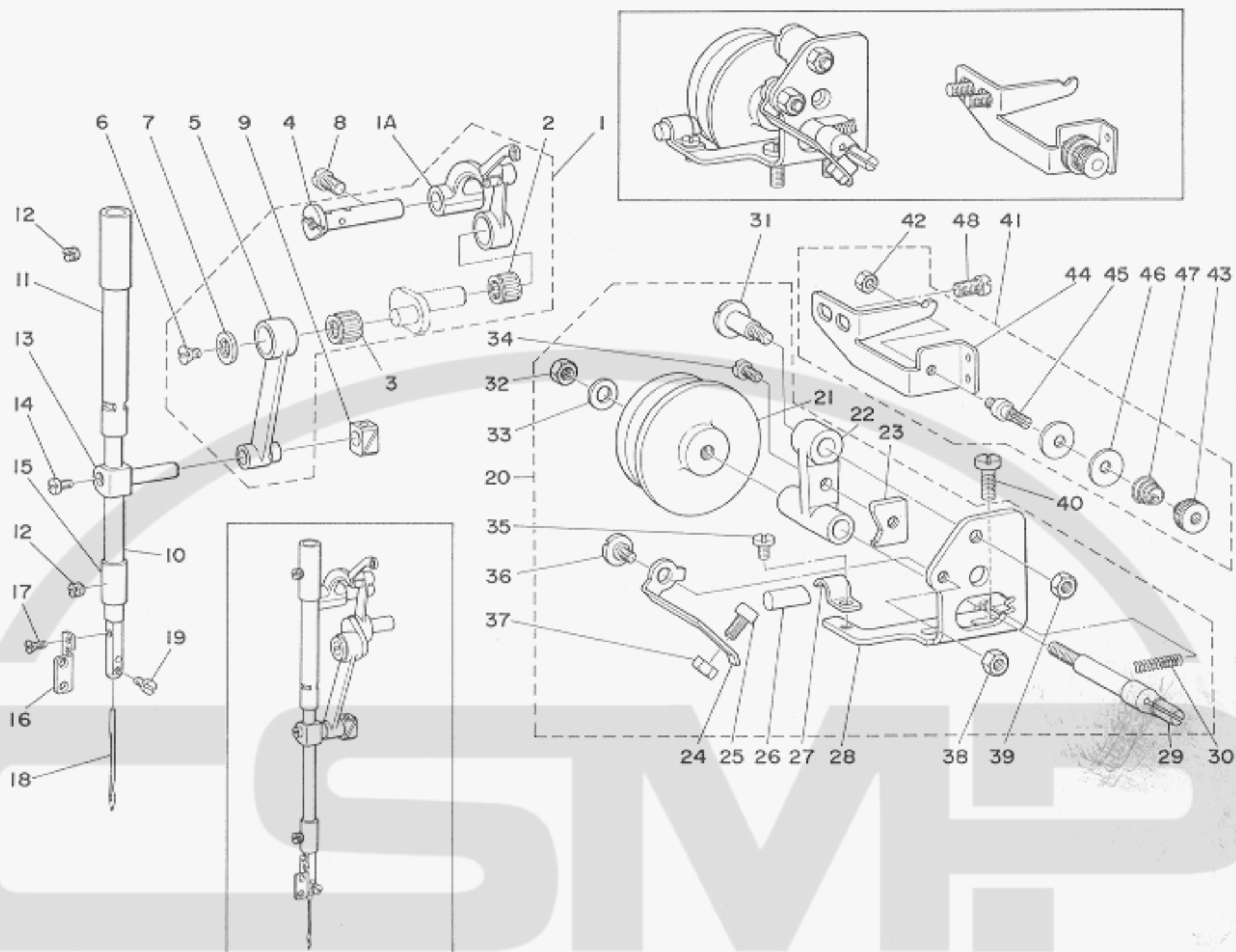


# 1. MACHINE FRAME COMPONENTS



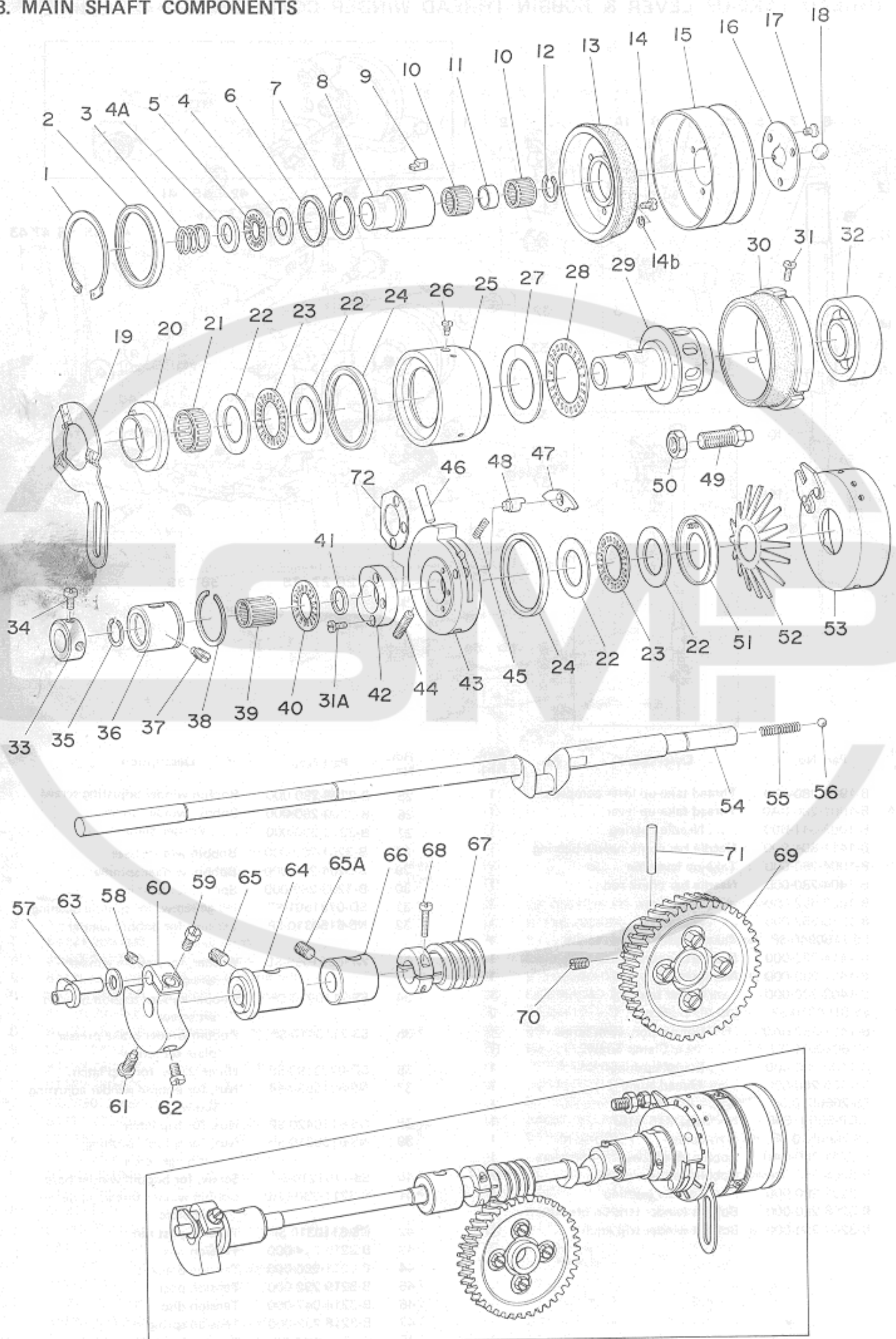
Ref. No.	Part No.	Description	Amt. Req.	Ref. No.	Part No.	Description	Amt. Req.
1	B1120-280-000	Face plate	1	30	WP-0501016-SD	Washer	2
2	SS-7111120-SP	Screw	3	31	B1116-280-000	Pin	2
3	B1121-280-000	Gasket	1	33	B1112-280-000	Belt cover, small	1
4	SS-8680730-SP	Oiling screw	1	34	SS-7110710-SP	Screw	2
5	B1130-280-000	Silicon oil tank felt	1	35	B1107-280-000	Base connecting pin	2
6	B1129-280-000	Silicon oil tank cover	1	36	SS-8151150-TP	Screw	2
7	B1126-280-000	Silicon oil pipe	1	37	SS-6741010-SP	Oil drain cap screw	1
8	B1127-280-000	Silicon oil thread guide	1	38	B8219-125-000	Gasket	1
9	SS-7110410-SP	Screw	1	39	SS-7151210-SP	Top cover set screw, small	1
10	B1128-280-000	Silicon oil felt	1	40	B1109-280-000	Hook B	1
11	B1122-280-000	Thread take-up lever oil guard	1	41	SS-1110840-SP	Screw	2
12	SS-7090710-SP	Screw	2	42	B1103-280-000	Machine base	1
13	B1111-232-000	Thread guide, No.2	1	43	B1507-352-000	Spring, for hook A	1
14	SS-7150740-SP	Screw	1	44	B1110-280-000	Suspension	1
15	B1123-280-000	Thread guide, No.1	1	45	B1108-280-000	Hook A	1
16	NS-6150310-SP	Set nut	1	46	SD-0720331-SP	Hinge screw	1
17	B1117-280-000	Top cover	1	47	SS-6111010-TP	Stopper	1
18	SS-6151780-SP	Screw	4	48	B1104-280-000	Rubber pad	2
19	B1119-280-000	Cam cover	1	49	B1105-280-000	Base connecting pin bracket	1
20	SS-6153040-SP	Screw	2	50	B1106-280-000	Washer	1
21	B1114-280-000	Belt cover spring suspension	1	51	SS-6153040-SP	Screw	2
22	B1113-280-000-A	Stopper spring for belt cover	1	52	B1124-280-000	Frame thread guide B	1
23	SS-7111310-SP	Screw	2	53	SS-7110710-SP	Screw	1
25	B1133-280-000	Spring set plate	1	54	B3114-771-000	Take-up thread guide	1
26	B1111-280-000	Belt cover	1	55	B1125-280-000	Tension thread guide	1
27	B1115-280-000	Machine base	1	56	B1125-280-000	Frame thread guide A	1
28	B1115-280-000	Machine base	1	57	B1125-280-000	Frame thread guide A	1
29	B1115-280-000	Machine base	1				

## 2. THREAD TAKE-UP LEVER & BOBBIN THREAD WINDER COMPONENTS



Ref. No.	Part No.	Description	Amt. Req.	Ref. No.	Part No.	Description	Amt. Req.
*1	B-1901-280-0B0	Thread take-up lever complete	1	25	B-3208-280-000	Bobbin winder adjusting screw	①
1A	B-1901-280-0A0	Thread take-up lever	①	26	B-3209-280-000	Bobbin winder brake	①
2	B-1905-541-B00	... Needle bearing	①	27	B-3210-280-000	... Presser plate	①
3	B-1411-804-B00	Needle bar crank needle bearing	①	28	B-3201-280-000	Bobbin winder base	①
4	B-1904-280-000	Take-up lever pin	①	29	B-3204-280-000	Bobbin winder spindle	①
5	B-1404-280-000	Needle bar crank rod	①	30	B-3203-280-000	Spring, for bushing	①
6	B-1903-552-000	... End screw	①	31	SD-0791501-SP	Hinge screw, for spindle bushing	①
7	B-1910-552-000	... Washer	①	32	NS-6150310-SP	Set nut, for bobbin winder wheel	①
8	SS-7150940-SP	Take-up lever pin set screw	1	33	WP-0651056-SD	Washer, for bobbin winder wheel	①
9	B-1414-232-000	Needle bar connection slide block	1	34	SS-7110910-SP	Bobbin winder tension bracket set screw	①
10	B-1401-280-000	Needle bar	1	35	SS-7110410-SP	Bobbin winder brake presser plate set screw	①
11	B-1402-280-000	... Upper bushing	1	36	SD-0720193-SP	Hinge screw, for trip latch	①
12	SS-8150310-SP	... Screw	2	37	NS-6110530-SP	Nut, for bobbin winder adjusting screw	①
*13	B-1411-552-0A0	... Connection, with screw	1	38	NS-6110420-SP	Nut, for trip latch	①
14	SS-6090670-TP	... Clamp screw	①	39	NS-6150310-SP	Nut, for spindle bushing set hinge screw	①
15	B-1403-280-000	... Lower bushing	1	40	SS-7151210-SP	Screw, for bobbin winder base	2
16	B-1405-280-000	... Thread guide	1	*41	B-3211-280-0A0	Bobbin winder thread guide complete	1
17	SS-2060510-SP	... Screw	1	42	NS-6110310-SP	Tension post nut	①
18	MDP-500B1600	Needle (DPx5 #16)	1	43	B-3216-047-000	Tension nut	①
19	SS-7080510-SP	... Screw	1	44	B-3211-280-000	Tension bracket	①
*20	B-3201-280-0A0	Bobbin thread winder complete	1	45	B-3219-232-000	Tension post	①
21	B-3205-280-000	Bobbin winder wheel	①	46	B-3214-047-000	Tension disc	②
22	B-3202-280-000	... Spindle bushing	①	47	B-3218-232-000	Tension spring	①
23	B-3206-280-000	Bobbin winder tension bracket	①	48	SS-7150940-SP	Tension bracket set screw	2
24	B-3207-280-000	Bobbin winder trip latch	①				

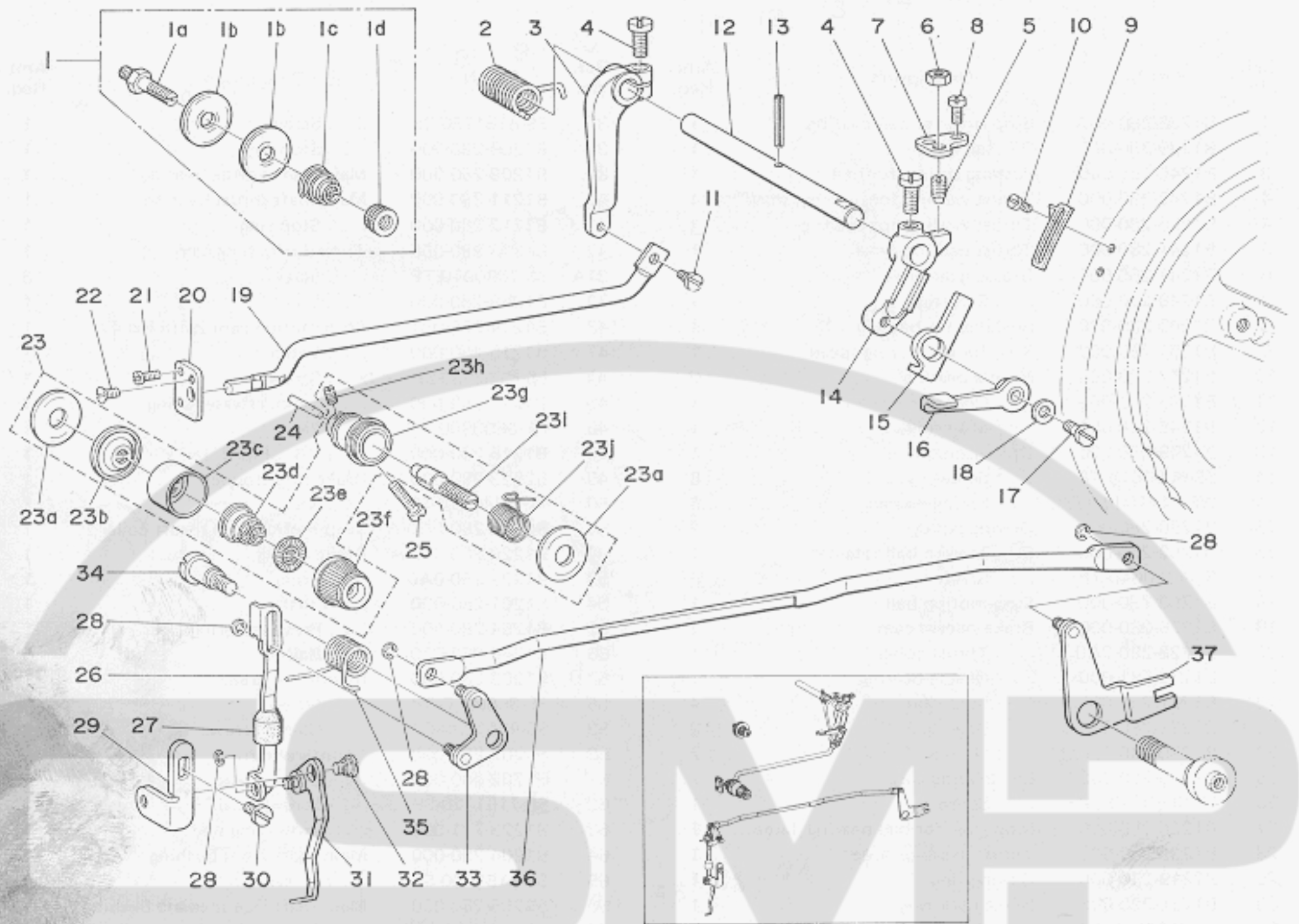
### 3. MAIN SHAFT COMPONENTS





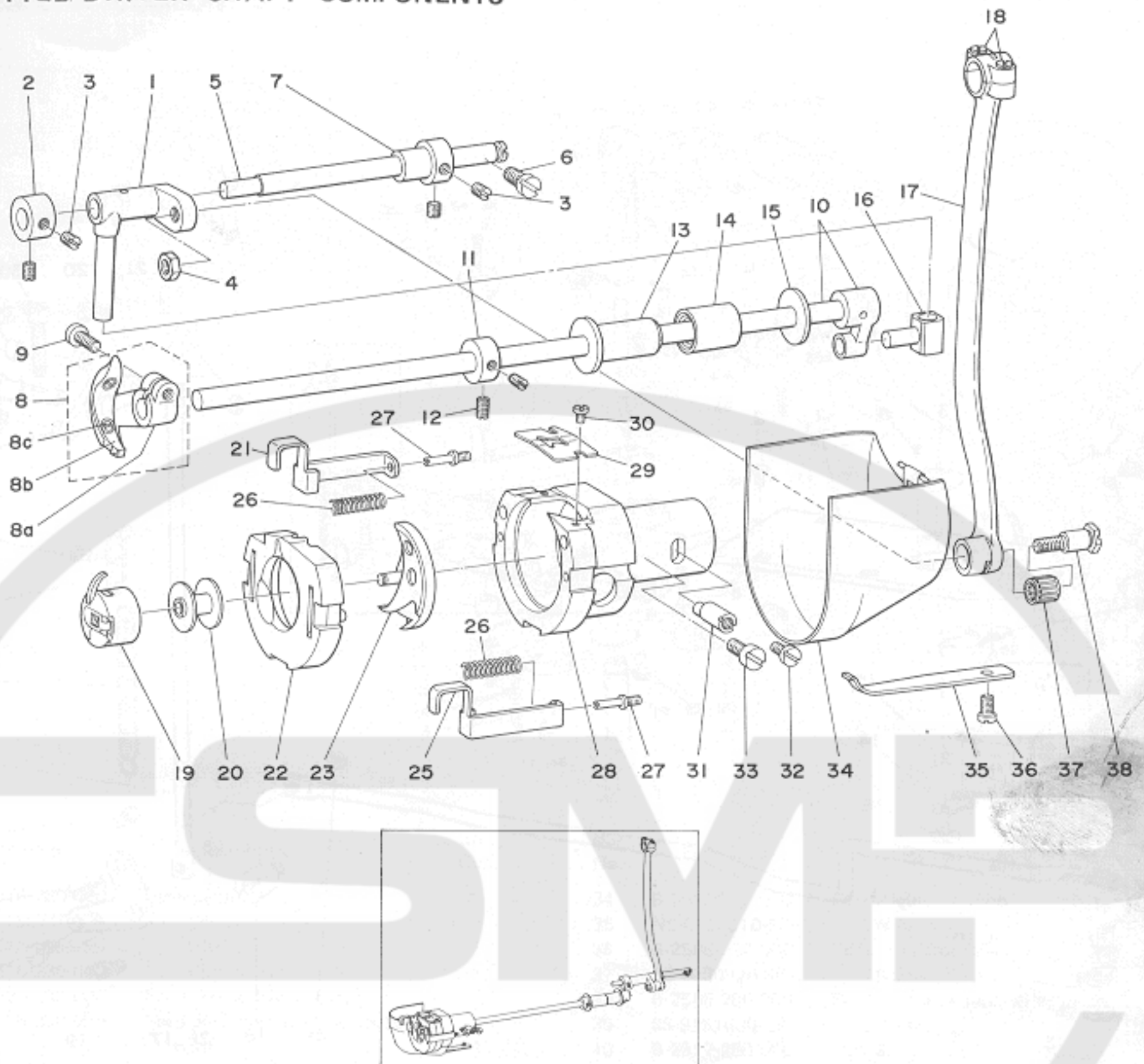
Ref. No.	Part No.	Description	Amt. Req.	Ref. No.	Part No.	Description	Amt. Req.
1	B1238-280-000	Stop ring, for ball bearing	1	37	SS-8151150-SP	. . . Screw	1
2	B1239-280-000	Oil seal, large	1	38	B1209-280-000	. . . Stop ring	1
3	B1240-280-000	Pushing spring, for ball	1	39	B1208-280-000	Main shaft needle bearing	1
4	B1242-280-000	Thrust washer, for bearing, small	1	40	B1211-280-000	Main shaft thrust bearing	1
4A	B1256-280-000	Thrust washer, for bearing	1	41	B1212-280-000	. . . Stop ring	1
5	B1241-280-000	Thrust bearing, small	1	42	B1213-280-000	Thread trimming cam	1
6	B1247-280-000	Grease guard felt	1	31A	SS-7090910-TP	. . . Screw	3
7	B1248-280-000	. . . Stop ring	1	72	B1259-280-000	. . . Liner	1
8	B1243-280-000	Bushing, for bearing	1	*43	B1214-280-0A0	Stop-motion cam (with No.47)	1
9	B1251-280-000	Key, for decreasing speed	1	47	B1215-280-000	. . . Latch	①
10	B1244-280-000	Needle bearing	2	44	SS-8152030-SP	. . . Screw	1
11	B1245-280-000	. . . Collar	1	45	B1217-280-000	. . . Latch release spring	1
12	B1246-280-000	. . . Stop ring	1	46	PT-0603800-TH	. . . Pin	1
13	B1249-280-000	Driving clutch	1	48	B1216-280-000	. . . . . Pin	1
14	SS-6080610-TP	. . . Screw	6	49	B2623-280-000	Brake ring stopper	1
14b	WS-0441040-KP	. . . Spring washer	6	50	NS-6740510-SP	. . . Nut	1
15	B1250-280-000	Driving pulley	1	51	B1218-280-0A0-A	Stop-motion cam thrust collar	1
16	B1252-280-000	Stop-motion ball retainer	1	52	B1220-280-000-A	Brake spring	1
17	SS-1110640-TP	. . . Screw	3	53	B1222-280-0A0	Brake ring	1
18	B1253-280-000	Stop-motion ball	1	54	B1201-280-000	Main shaft	1
19	B1226-280-000	Brake release cam	1	55	B1254-280-000	. . . Pressure spring	1
20	B1228-280-0A0	. . . Thrust collar	1	56	B1246-372-000	. . . Ball	1
21	B1715-581-000	. . . Needle bearing	1	57	B1203-280-000	Needle bar crank	1
22	B1232-280-000	. . . Stop ring	4	58	SS-8660610-TP	. . . Screw	1
23	B1231-280-000	. . . Bearing	2	59	SS-9661230-CP	. . . Clamp screw	1
24	B1230-280-000	. . . Oil seal	2	60	B1202-280-000	Counterweight	1
25	B1233-280-000	Ball bearing case	1	61	B1202-280-000	. . . Screw, large	1
26	SS-6090680-TP	. . . Screw	1	62	SS-7151120-SP	. . . Screw, small	1
27	B1236-280-000	Stop ring, for ball bearing, large	1	63	B1223-771-000	. . . Protecting plate	1
28	B1235-280-000	Thrust bearing, large	1	64	B1204-280-000	Main shaft front bushing	1
29	B1219-280-000	Driving ring	1	65	SS-8151150-SP	. . . Screw	1
30	B1234-280-000	Brake cork ring	1	66	B1205-280-000	Main shaft intermediate bushing	1
31	SS-7090910-TP	. . . Screw	3	65A	SS-8151150-SP	. . . Screw	1
32	B1237-280-000	Ball bearing, for speed decreasing	1	67	B2205-280-000	Feed cam driving worm	1
33	CS-1401113-TH	Main shaft thrust collar	1	68	SS-6111610-SP	. . . Screw	2
34	SS-6660710-TP	. . . Screw	2	69	B2204-280-0A0	. . . Wheel	1
35	B1210-280-000	Stop ring, for main shaft bearing	1	70	SS-8660820-TP	. . . . . Screw	1
36	B1207-280-000	Rear bushing, for main shaft	1	71	PT-0503200-SH	. . . . . Pin	1

#### 4. THREAD TENSION RELEASE COMPONENTS



Ref. No.	Part No.	Description	Amt. Req.	Ref. No.	Part No.	Description	Amt. Req.
*1	B-1115-232-0A0	Thread tension, No. 1 asm.	1	23c	B-3107-804-000	Tension disc presser tube	①
1a	B-3123-352-000	Tension post, No. 1	①	23d	B-3114-232-000	Tension spring, No. 2	①
1b	B-3126-012-000	Tension disc	②	23e	B-3120-125-000	Tension disc stopper	①
1c	B-1115-232-000	Tension spring, No. 1	①	23f	B-3119-771-000	Tension nut, No. 2	①
1d	A-3125-002-000	Tension nut, No. 1	①	23g	B-2313-280-000	Tension post socket	①
2	B-2310-280-000	Spring, for tension release link	1	23h	SS-8090610-SP	Tension post set screw	①
3	B-2307-280-000	Tension release link (B)	1	23i	B-2302-280-000	Tension post, No. 2	①
4	SS-7151210-SP	. . . Screw	2	23j	B-3112-761-000	Thread take-up spring	①
5	SS-8151150-TP	Adjusting screw, for tension release latch	1	24	B-2303-280-000	Tension release pin	1
6	NS-6150310-SP	. . . Nut	1	25	SS-9111510-SP	Tension post socket set screw	1
7	B-2315-280-000	Stopper, for link (A)	1	26	B-2103-280-000	Wiper connecting plate	1
8	SS-7110740-TP	. . . Screw	2	27	B-2108-280-000	Oil shield cap	1
9	B-2304-280-000	Tension release link tripping segment	1	28	B-1229-232-000	Snap ring	4
10	SS-7090520-TP	. . . Screw	2	29	B-2102-280-000	Wiper installing plate	1
11	SD-0450211-SP	Hinge screw, for tension release bar	1	30	SS-7110840-SP	. . . Screw	1
12	B-2309-280-000	Shaft, for tension release link	1	31	B-2101-280-0A0	Wiper	1
13	PS-0300201-KP	Pin, for spring	1	32	SD-0640211-SP	. . . Hinge screw	1
14	B-2306-280-000	Tension release link (A)	1	33	B-2104-280-0A0	. . . Connecting arm	1
15	B-2305-280-000	. . . Latch	1	34	B-2109-280-000	. . . Connecting screw	1
16	B-2308-280-0A0	Tension release lever	1	35	B-2110-280-000	. . . Spring, for connecting arm	1
17	SD-0500481-TP	. . . Hinge screw	1	36	B-2106-280-000	. . . Connecting bar	1
18	WP-0520656-SA	. . . Washer	1	37	B-2107-280-0A0	. . . Driving link	1
19	B-2312-280-000	Tension release bar	1				
20	B-2311-280-000	. . . Supporter	1				
21	SS-7090620-SP	. . . . . Screw	2				
22	SS-5090610-SP	. . . Stopper screw	1				
*23	B-2302-280-0A0	Tension controller, No. 2	1				
23a	B-3126-012-000	Tension disc	②				

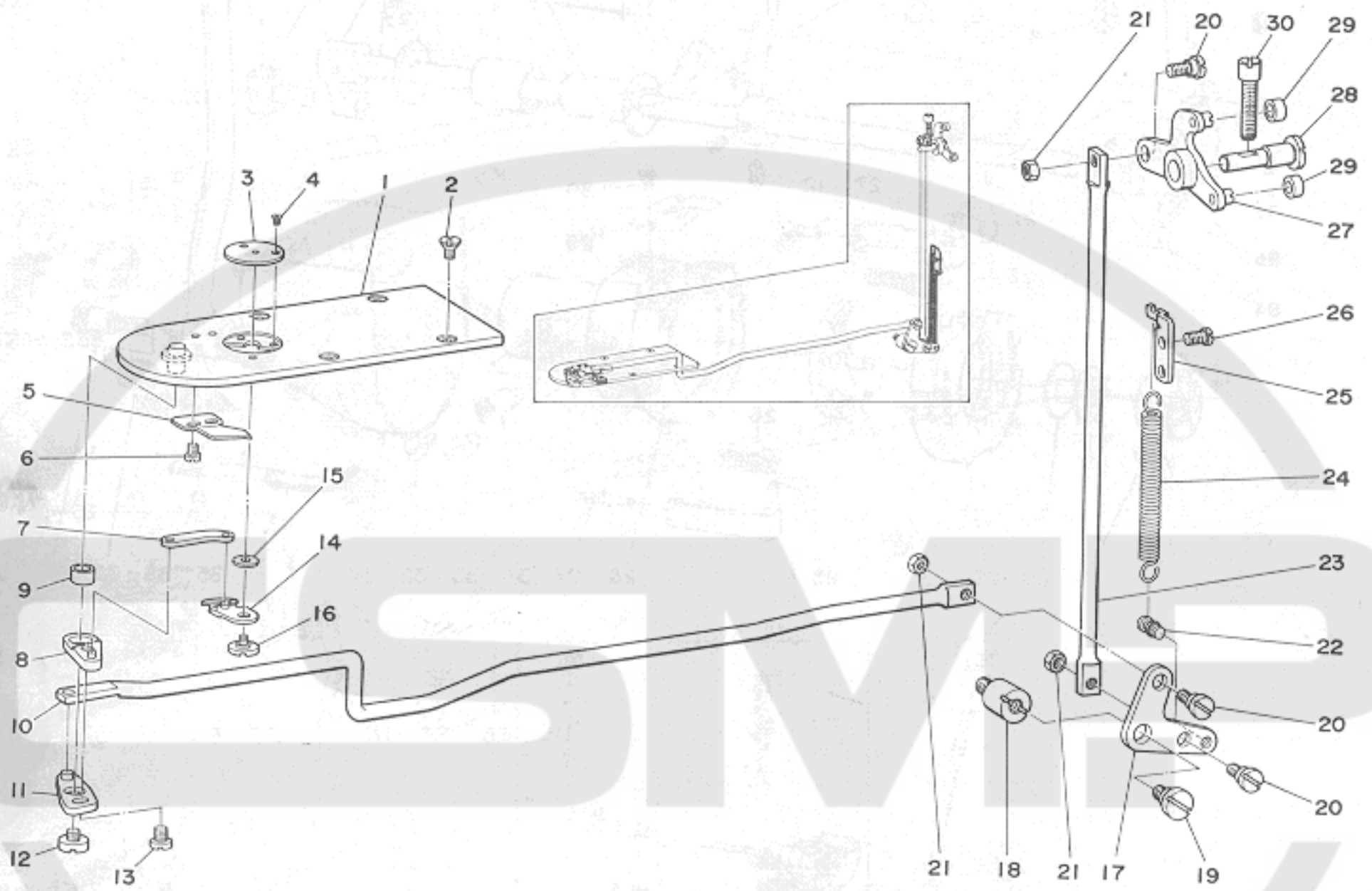
## 5. SHUTTLE DRIVER SHAFT COMPONENTS



Ref. No.	Part No.	Description	Amt. Req.	Ref. No.	Part No.	Description	Amt. Req.
1	B-1805-280-000	Oscillating rock shaft	1	22	B-1817-280-0A0	Shuttle race ring	1
2	CS-0791016-SH	... Thrust collar (small)	1	23	B-1818-280-000	Shuttle	1
3	SS-8110520-TP	... . . . . . Clamp screw	4	25	B-1820-280-000	Shuttle race latch (right)	1
4	NS-6660430-SP	Nut, for hinge screw	1	26	B-1823-280-000	Spring, for shuttle race	2
5	B-1803-280-000	Oscillating rock shaft hinge pin	1	27	B-1822-280-000	Shuttle race latch shaft	2
6	SS-7150940-SP	... Clamp screw	1	28	B-1814-280-000	Shuttle race	1
7	B-1804-280-000	Thrust collar (large) for oscillating rock	1	29	B-1815-280-000	Shuttle race spring	1
*8	B-1812-280-0A0	Shuttle driver asm.	1	30	SS-6060410-TP	... Screw	2
8a	B-1812-280-000	Shuttle driver	①	31	B-1819-280-000	Shuttle race adjusting shaft	1
8b	B-1813-280-000A	... Spring	①	32	SS-7110510-TP	... Screw	1
8c	SS-2060320-SP	... . . . . . Screw	②	33	SS-6151220-SP	Clamp screw, for shuttle race	1
9	SS-6121212-TP	... Clamp screw	1	34	B-1824-280-0A0	Cylinder arm cap complete	1
10	B-1811-280-0A0	Shuttle driver shaft with crank	1	35	B-1826-280-000	... Spring	1
11	CS-0800816-SH	... Thrust collar	1	36	SS-6111010-TP	... . . . . . Clamp screw	1
12	SS-6110420-TP	... . . . . . Clamp screw	2	37	B-1411-804-B00	Connecting rod bearing	1
13	B-1810-280-000	... Bushing	1	38	SD-0801021-TP	... Hinge screw	1
14	B-1809-280-00B	... Needle bearing	1				
15	B-1808-280-000	Washer, for shuttle driver shaft crank	1				
16	B-1807-280-000	Slide block, for shuttle driver shaft crank	1				
17	B-1801-280-000	Shuttle drive connecting rod	1				
18	SS-7111110-SP	... Clamp screw	2				
19	B-1828-280-0A0	Bobbin case	1				
20	B-1827-280-000	Bobbin	1				
21	B-1821-280-000	Shuttle race latch (left)	1				

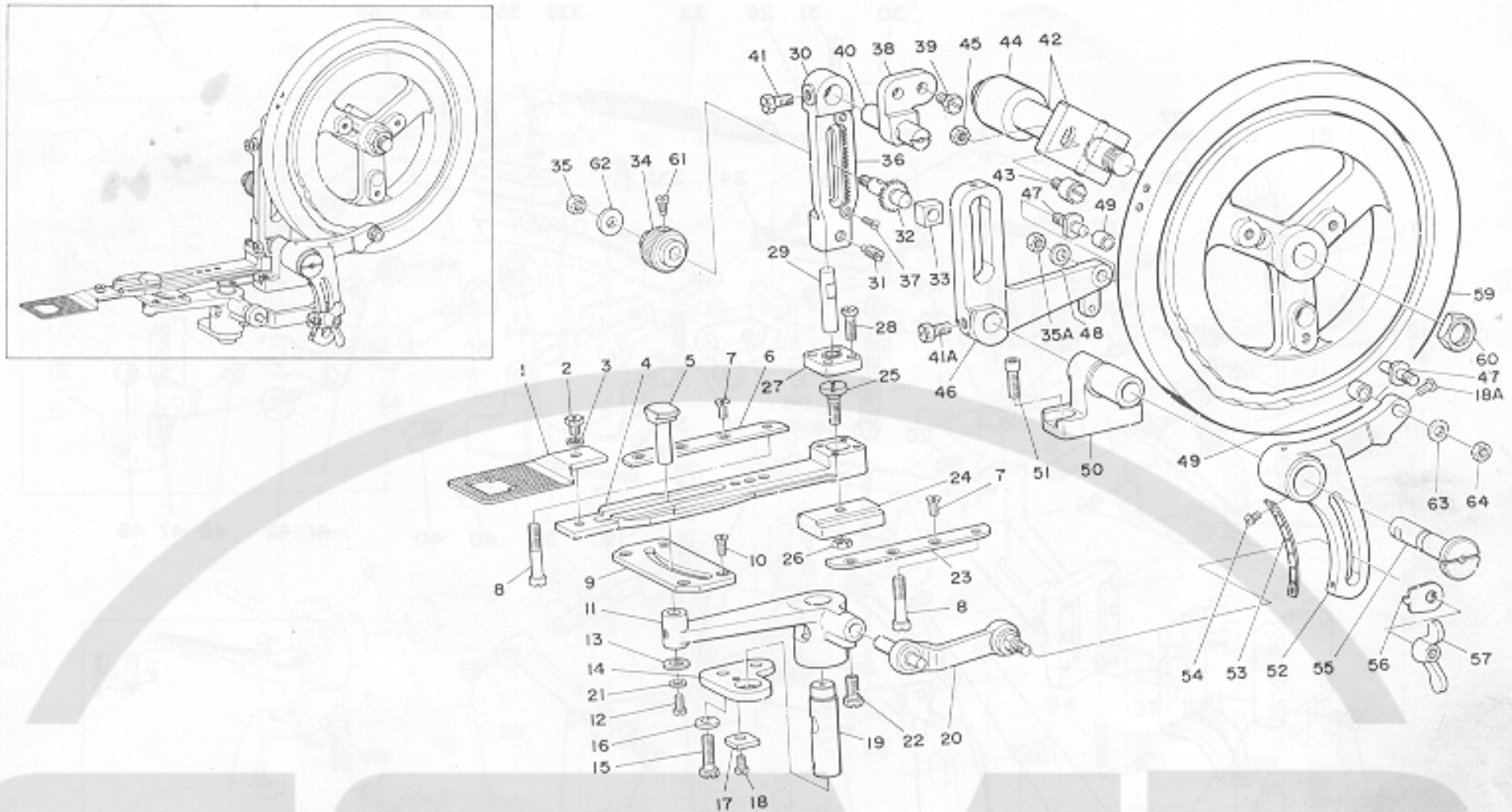


## 6. THREAD TRIMMER & NEEDLE PLATE COMPONENTS



Ref. No.	Part No.	Description	Amt. Req.	Ref. No.	Part No.	Description	Amt. Req.
1	B2425-280-0A0	Needle plate	1	16	SD-0500091-TP	Hinge screw	1
2	SS-1110640-TP	Screw	4	17	B2408-280-000	Knife driving bar connecting link	1
3	B2426-280-000	Needle hole guide	1	18	B2409-280-000	Mounting base	1
4	SS-2060220-SP	Screw	2	19	SD-0790303-SP	Hinge screw	1
5	B2424-280-000	Counter knife	1	20	SD-0650305-TP	Hinge screw, for knife driving bar	3
6	SS-7090410-SP	Screw	2	21	NS-6120310-SP	Nut	3
7	B2418-280-000	Moving knife connecting link	1	22	B1110-280-000	Tension spring suspension	1
8	B2415-280-0A0	Moving knife driving lever, small	1	23	B2407-280-000	Knife driving rod	1
9	B2416-280-000	Collar	1	24	B2410-280-000	Tension spring	1
10	B2413-280-000	Knife driving bar, large	1	25	B2412-280-000	Suspension, upper	1
11	B2414-280-0A0	Moving knife driving lever, large	1	26	SS-7110720-SP	Screw	2
12	SS-6110430-TP	Screw	1	27	B2401-280-0A0	Knife driving rod tripping arm	1
13	SS-7110510-SP	Connecting screw	1	28	B2403-280-000	Stud	1
14	B2421-280-0A0	Moving knife	1	29	B2404-280-000	Cam roller	2
15	B2423-280-00A	Washer (t=0.4)	(1)	30	SS-6152440-SP	Screw, for stud	1
	B2423-280-00B	Washer (t=0.5)	1				
	B2423-280-00C	Washer (t=0.6)	(1)				
	B2423-280-00D	Washer (t=0.7)	(1)				

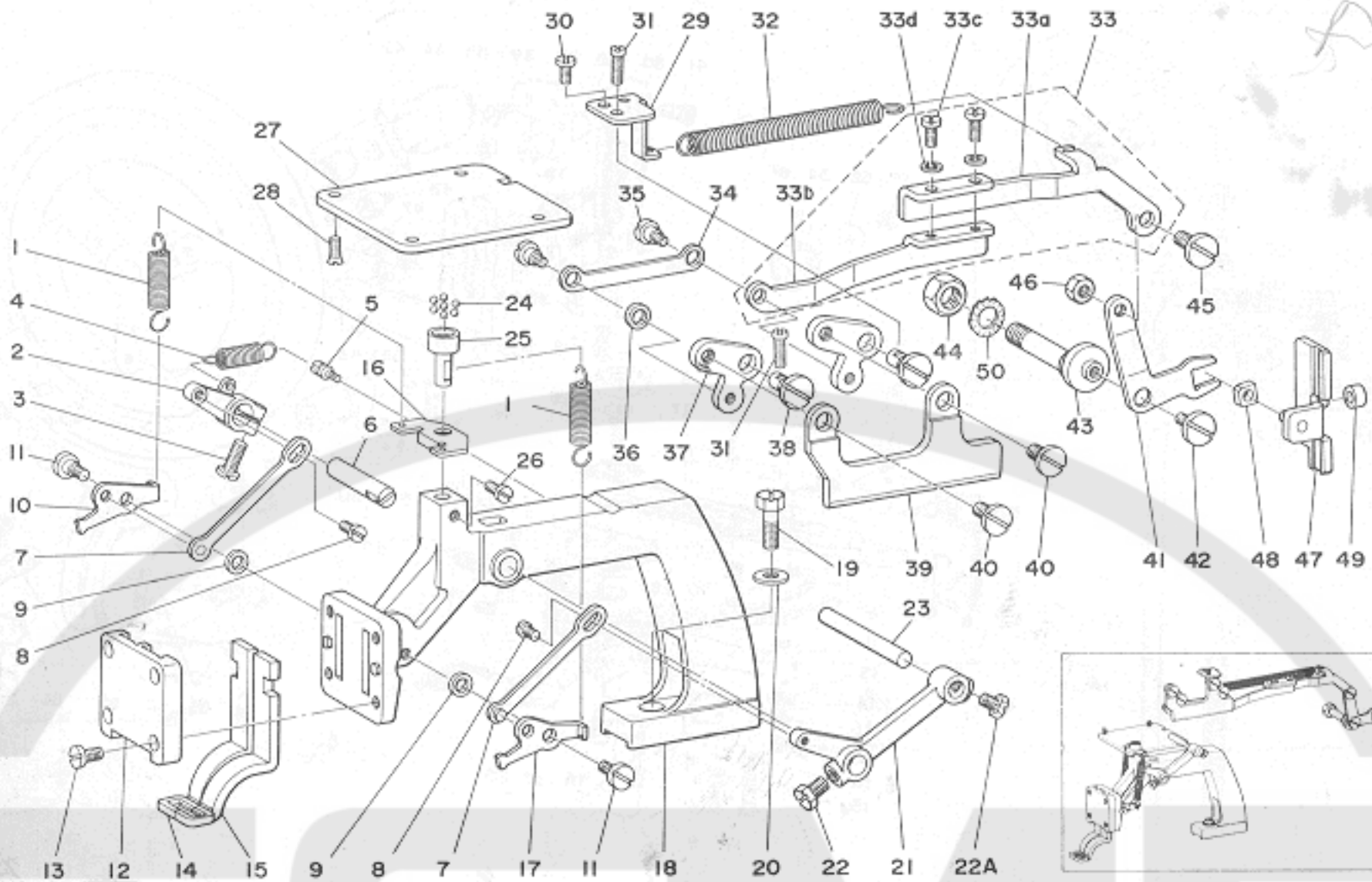
## 7. FEED CAM COMPONENTS



Ref. No.	Part No.	Description	Amt. Req.	Ref. No.	Part No.	Description	Amt. Req.
1	B-2519-280-000	Feed plate	1	34	B-2511-280-000	Feed regulator knob	1
2	SS-9150710-TP	. . . Screw	1	35	NS-6150310-SP	. . . Nut	1
3	WP-0651056-SD	. . . Washer	1	36	B-2508-280-000	Feed regulator rack	1
4	B-2518-280-000	. . . Carrier bar	1	37	SS-1090920-SP	. . . Screw	2
5	B-2533-280-000	Feed across driving block	1	38	B-2505-280-000	Feed regulator supporting plate	1
6	B-2515-280-000	Feed plate carrier bar guide plate, right	1	39	SS-9151630-CP	. . . Screw	2
7	SS-1110821-TP	. . . Screw (A)	6	40	B-2517-280-000	. . . Stud	1
8	SS-7112420-SP	. . . Screw (B)	2	41	SS-9151630-CP	. . . . . Screw	1
9	B-2534-280-000	Slide plate, for feed across driving block	1	42	B-2201-280-0A0	Worm wheel shaft complete	1
10	SS-2110910-SL	. . . Screw	4	43	B-2207-280-000	Feed cam position stud	1
11	B-2530-280-000	Feed across driving arm	1	44	B-2202-280-000	Worm wheel shaft bushing	1
12	SS-7110740-TP	Screw, for driving block	1	45	NS-6660511-SP	Nut, for position stud	1
13	B-2557-280-00B	Washer, for driving arm	1	46	B-2503-280-000	Feed driving arm	1
14	B-2535-280-000	Supporting plate, for driving arm	1	41A	SS-9151120-CP	. . . Screw	1
15	SS-9151910-SN	. . . Screw	2	47	B-2501-280-000	Feed cam roller shaft	2
16	WP-0612516-SD	. . . Washer	2	35A	NS-6660430-SP	. . . Nut	1
17	B-2532-280-000	Stopper, for feed across driving arm stud	1	48	WP-0651056-SD	. . . Washer	1
18	SS-7110510-SP	. . . Screw	1	49	B-2502-280-00B	Feed cam roller 9.5 φ (previous parts)	(2)
19	B-2531-280-000	Feed across driving arm stud	1		B-2502-280-000	Feed cam roller 11 φ (new parts)	2
20	B-2524-280-0A0A	Feed across driving arm connecting rod	1	50	B-2523-280-000	Feed driving arm bracket	1
21	WP-0501016-SD	Washer, for driving block	1	51	SM-6081542-CP	. . . Screw	2
22	SS-9661230-CP	Screw, for connecting rod	1	52	B-2521-280-000	Feed across regulator	1
23	B-2516-280-000	Feed plate carrier bar guide plate, left	1	53	B-2529-280-000	Feed across scale	1
24	B-2512-280-000	Feed plate carrier bar slide plate	1	54	SS-3090510-SP	. . . Screw	2
25	SD-0790433-TP	Hinge screw, for feed plate carrier bar	1	55	B-2522-280-000	Feed across regulator shaft	1
26	NS-6150310-SP	. . . Nut	1	56	B-2554-280-000	Indicator	1
27	B-2514-280-000	Ball joint connection	1	57	B-2528-280-000	Wing nut	1
28	SS-9121410-TP	. . . Screw	4	63	WP-0650876-SD	. . . Washer	1
29	B-2513-280-000	Feed regulator pin	1	64	NS-6660511-SP	. . . Nut	1
30	B-2504-280-000	Feed regulator	1	59	B-2209-280-000	Feed cam (groove width 9.5 mm) (previous part)	(1)
31	SS-8151350-SP	. . . Pin set screw	1		B-2209-280-000A	Feed cam (groove width 11 mm) (new part)	1
32	B-2506-280-0A0	Pinion	1	60	NS-6361040-SP	Worm wheel shaft set nut	1
33	B-2507-280-000	Slide block	1	61	B-2510-280-000	Screw, for feed regulator knob	1
				62	WP-0612516-SD	. . . Washer	1

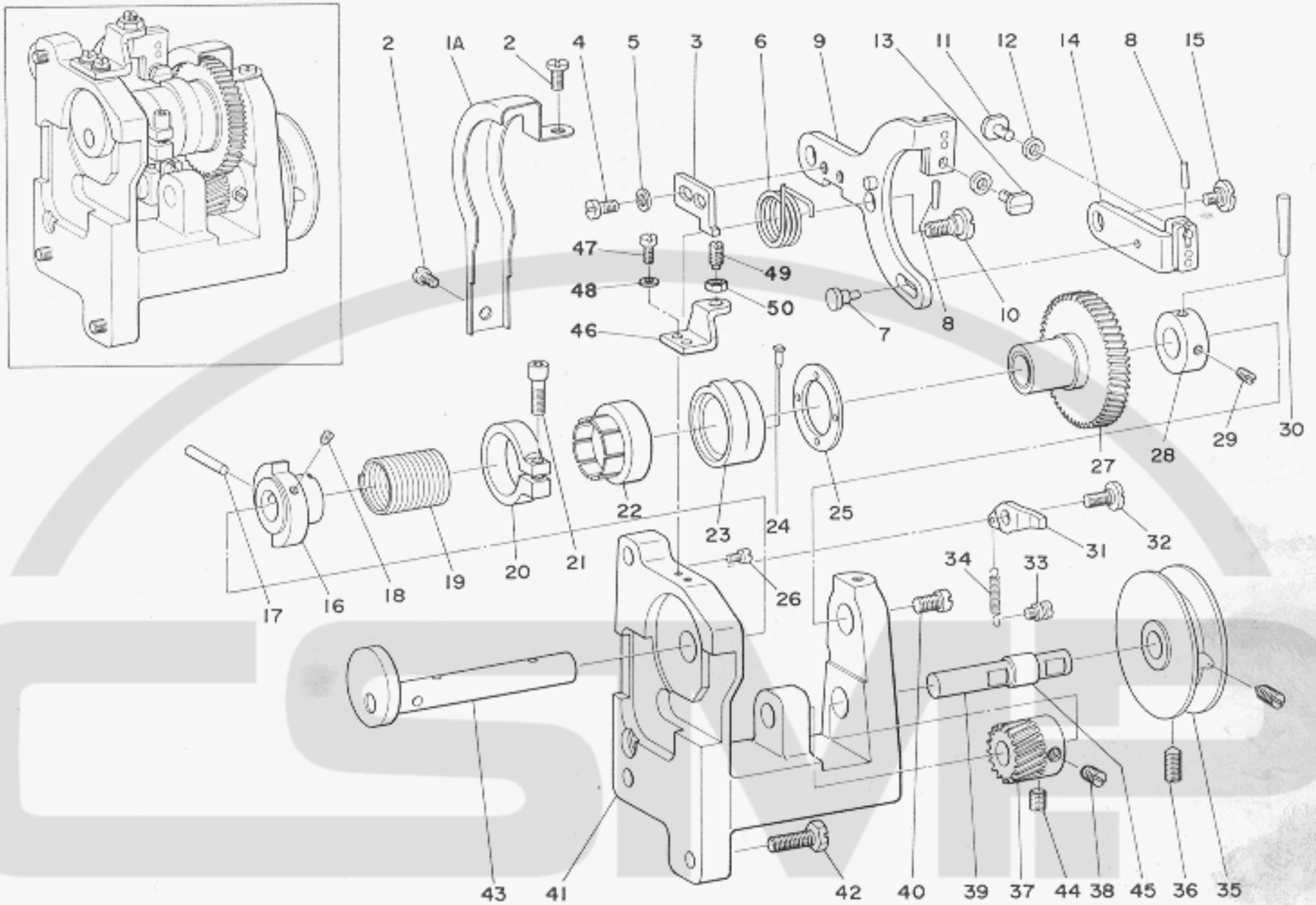


# 8. WORK CLAMP FOOT COMPONENTS



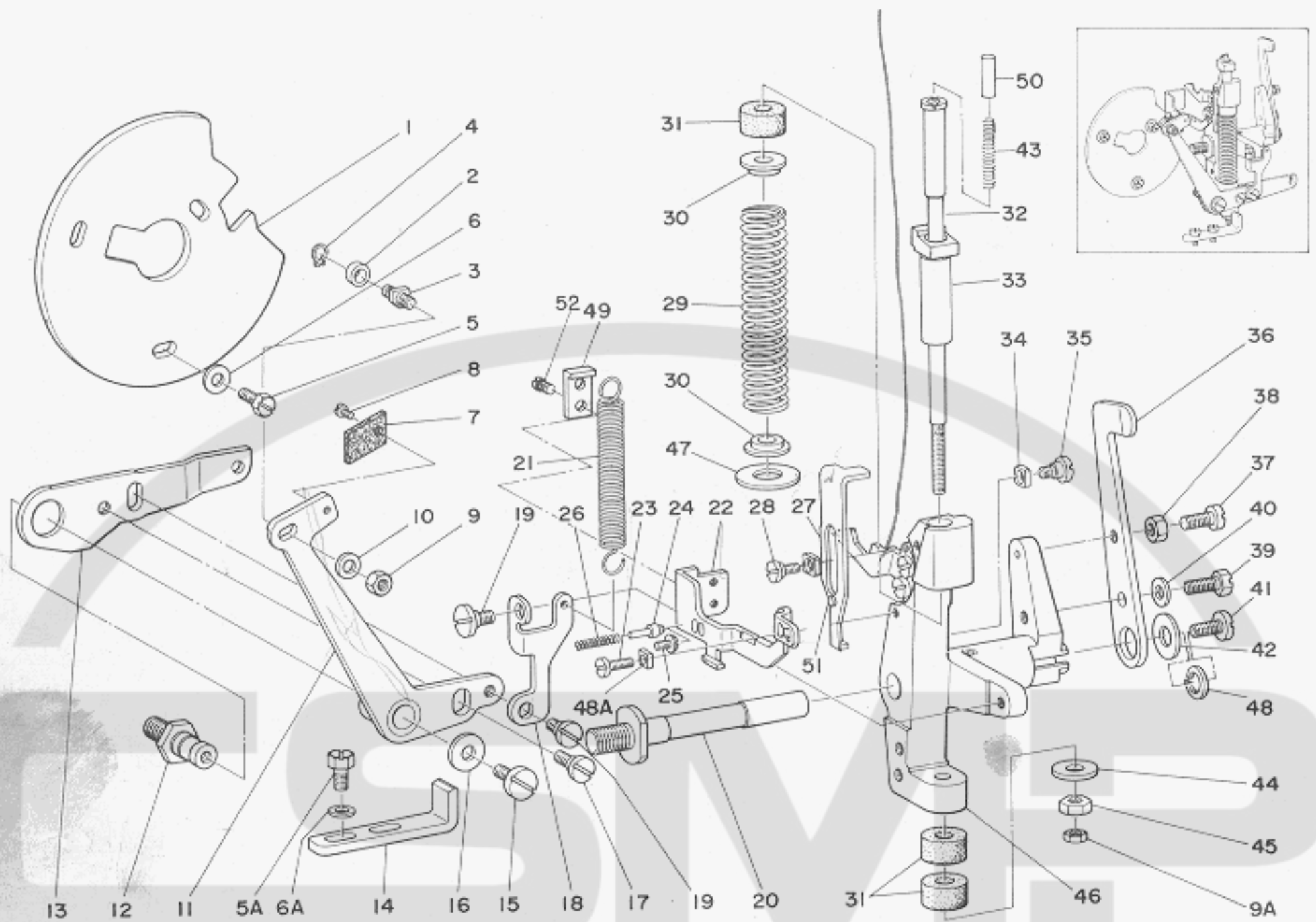
Ref. No.	Part No.	Description	Amt. Req.	Ref. No.	Part No.	Description	Amt. Req.
1	B-2545-280-000	Pressure spring	2	29	B-1514-280-000A	Spring suspension	1
2	B-2538-280-000	Work clamp foot lifting lever, small	1	30	SS-7110710-SP	. . . Screw	1
3	SS-6121212-TP	. . . Screw	1	32	B-1513-280-000	Tension spring	1
4	B-2556-280-000	. . . Spring,	1	*33	B-1506-280-0A0	Work clamp foot lowering lever asm.	1
5	B-2036-372-000	. . . . . Suspension	1	33a	B-1506-280-000	Work clamp foot lowering lever (A)	①
6	B-2539-280-000	. . . Stud	1	33b	B-1507-280-000	Work clamp foot lowering lever (B)	①
7	B-2540-280-0A0	. . . Link	2	33c	SS-7110910-TP	. . . Screw	②
8	SS-6110620-TP	. . . . . Screw	2	33d	WS-0451040-KP	. . . Spring washer	②
9	B-2544-280-000	Washer, for work clamp foot hook	2	34	B-1503-280-000	Work clamp foot lowering link	1
10	B-2542-280-000	Work clamp foot hook, right	1	35	SD-0640602-SP	. . . Screw	2
11	SD-0600452-TP	. . . Hinge screw	2	36	B-1504-280-000	. . . Collar	1
12	B-2547-280-000	Work clamp foot face plate	1	37	B-1502-280-000	Work clamp foot lowering plate driving arm	2
13	SS-7120910-SP	. . . Screw	4	38	B-1505-280-000	. . . Stud	2
14	B-2551-280-000	Work clamp foot, right	1	31	SS-6111110-SP	. . . . . Screw	2
15	B-2552-280-000	Work clamp foot, left	1	39	B-1501-280-000	Work clamp foot lowering plate	1
16	B-2546-280-000	Pressure spring suspension	1	40	SD-0790431-SP	. . . Hinge screw	2
17	B-2543-280-000	Work clamp foot hook, left	1	41	B-1508-280-000	Work clamp foot lowering fork	1
18	B-2536-280-000	Work clamp foot mounting base	1	42	SS-6110630-TP	. . . Screw	1
19	SS-9151630-CP	. . . Screw	1	43	B-1509-280-000	. . . Stud	1
20	WP-0621016-SD	. . . Washer	1	44	NS-6740510-SP	. . . . . Nut	1
21	B-2537-280-000	Work clamp foot lifting lever, large	1	45	SD-0720332-SP	Hinge screw, for lowering lever	1
22	SS-9660940-SP	. . . Screw	1	46	NS-6150310-SP	. . . Nut	1
23	B-2555-280-000	Work clamp foot lifting shaft	1	47	B-1515-280-0A0	Work clamp foot lowering slide plate plate	1
22A	SS-9660940-SP	. . . Screw	1	48	B-1510-280-000	. . . Slide block	1
24	B-2549-280-000	Ball, for work clamp foot mounting base	7	49	B-2404-280-000	. . . Roller	1
25	B-2548-280-000	. . . Retainer	1	50	B-1516-280-000	Teethed washer	1
26	SS-7120910-SP	. . . Screw	1				
27	B-2550-280-000	. . . Support plate	1				
28	SS-2110920-TP	. . . . . Screw	4				

## 9. PEDAL PRESSURE DECREASING UNIT COMPONENTS



Ref. No.	Part No.	Description	Amt. Req.	Ref. No.	Part No.	Description	Amt. Req.
1	B-3001-280-0A0	Pedal pressure decreasing unit	(1)	26	SS-6090640-SP	Screw, for work clamp lifting spring	1
1A	B-3006-280-000	Cover, for gear	1	27	B-3004-280-0A0	Pressure decreasing gear, large	1
2	SS-7110510-SP	. . . Screw	2	28	B-3016-280-000	Thrust collar, for shaft	1
3	B-3031-280-000	Safety adjusting plate	1	29	SS-8110510-SP	. . . Screw	1
4	SS-6111010-TP	. . . Screw	2	30	PT-0402200-C0	. . . Pin	1
5	WP-0450801-SD	. . . Washer	2	31	B-3028-280-000	Reverse rotation preventing latch	1
6	B-3027-280-000	Spring, for work clamp lifting lever	1	32	SD-0600321-SP	. . . Hinge screw	1
7	B-3026-280-000	. . . Pin	1	33	B-1110-280-000	Spring suspension	1
8	B-3023-280-000	Pin, for stopper	2	34	B-3029-280-000	Spring, for reverse rotation preventing latch	1
9	B-3019-280-0A0	Work clamp lifting lever	1	35	B-3002-280-000	Driving pulley	1
10	SD-0790361-SP	. . . Screw	1	36	SS-8151230-SP	. . . Screw	2
11	B-3024-280-000	Stopper, for guide plate	1	37	B-3003-280-000	Pressure decreasing gear, small	1
13	B-3020-280-000	Stopper	1	38	SS-8660810-TP	. . . Screw (A)	1
12	B-3021-280-000	. . . Rubber ring	2	39	B-3007-280-000	. . . Shaft	1
14	B-3025-280-0A0	Lifting lever guide plate	1	40	SS-7150740-SP	Grease sealing screw	1
15	SD-0800271-SP	. . . Screw	1	41	B-3001-280-000	Pressure decreasing unit frame	1
16	B-3010-280-000A	Pressure decreasing clutch	1	42	SS-9152130-CP	. . . Screw	3
17	PT-0402200-SH	. . . Pin	1	43	B-3015-280-000	Pressure decreasing shaft	1
18	SS-8110510-SP	. . . Screw	1	44	SS-8660610-TP	Screw (B), for small gear	1
19	B-3009-280-000	. . . Spring	1	45	B-3034-280-000	Bushing, for pressure decreasing shaft	1
20	B-3014-280-000	Thrust collar, for sleeve	1	46	B3038-280-000	Work clamp lifting stopper plate	1
21	SS-6121212-TP	. . . Screw	1	47	SS-7111120-SP	. . . Screw	2
22	B-3013-280-000	Inner sleeve	1	48	WP-0480856-SP	. . . Washer	2
23	B-3011-280-000	Outer sleeve	1	49	SS-8151150-SP	Work clamp lifting stopper screw	1
24	B-3012-280-000	. . . Pin	2				

# 10. STOP-MOTION MECHANISM COMPONENTS

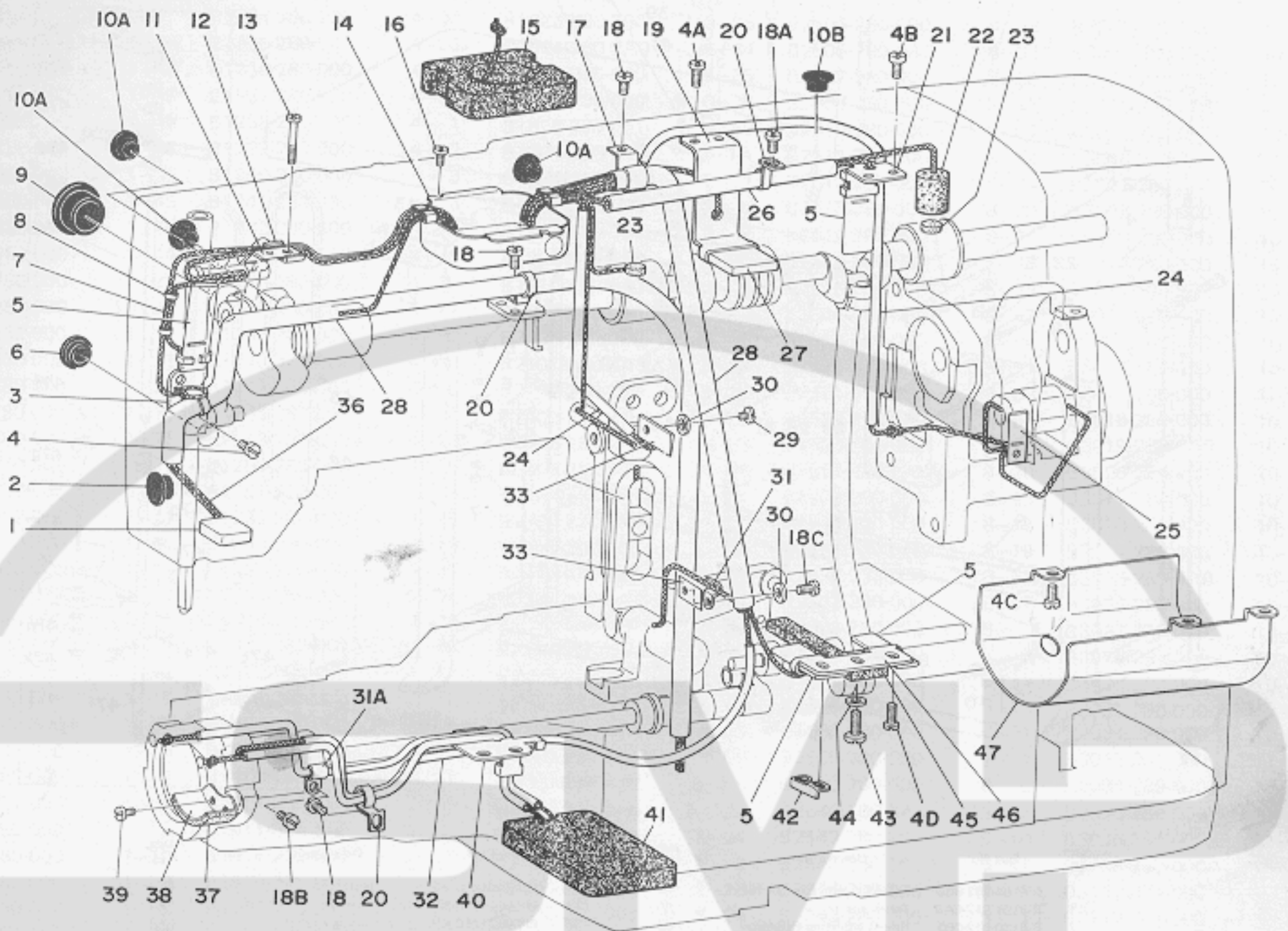


Ref. No.	Part No.	Description	Amt. Req.	Ref. No.	Part No.	Description	Amt. Req.
1	B-2612-280-000	Stop-motion regulating cam	1	24	B-3032-280-000	Stopper pin	1
2	B-2613-280-000	Roller	1	25	SS-6110610-TP	End screw	1
3	B-2614-280-000	Shaft	1	26	B-1217-280-000	Spring	1
4	B-2615-280-000	Stop ring	1	27	B-2605-280-000A	Stop-motion lever driving lever	1
5	SS-9151120-CP	Screw	3	50	B-2624-280-000	Pin	1
6	WP-0621016-SD	Washer	3	51	B-2625-280-000	Stopper clamp pin	1
7	B-3520-280-000	Oil felt	1	28	SD-0640324-TP	Hinge screw	1
8	SS-6090630-SP	Screw	1	29	B-2606-280-000	Pressure spring, for stop link rod	1
9	NS-6150310-SP	Roller shaft set nut	1	30	B-2607-280-000	Washer	2
10	WP-0621016-SD	Washer	1	31	B-2608-280-000	Rubber cushion, for stop link rod	3
13	B-2619-280-000	Starting lever	1	32	B-2604-280-000A	Stop link rod	1
11	B-2616-280-0A0	Stop-motion regulating lever complete	1	33	B-2603-280-000A	Latch	1
12	B-2618-280-000	Stud	1	34	B-2609-280-000	Slide block	2
14	B-2621-280-000	Stopper, for starting lever	1	35	SD-0640323-TP	Hinge screw	1
5A	SS-9151120-CP	Screw	2	36	B-2611-280-000	Driving pulley pressing plate	1
6A	WP-0621016-SD	Washer	2	37	SS-6151440-SP	Adjusting screw	1
15	SS-7151330-SP	Screw, for regulating lever	1	38	NS-6150540-SP	Nut	1
16	WP-0612056-SD	Washer	1	39	SS-9151440-CP	Screw	1
17	SD-0790511-SP	Hinge screw, for starting lever	1	40	WP-0621016-SD	Washer	1
18	B-2620-280-000	Stop-motion connecting lever	1	41	SS-7151330-SP	Screw, for stop-motion lever	1
19	SD-0720331-SP	Hinge screw	2	42	WP-0612056-SD	Washer	1
20	B-2602-280-000	Stop-motion lever installing shaft	1	43	B-2622-280-000A	Spring, for stop-motion lever driving plate	1
21	B-2610-280-000	Stop-motion lever tension spring	1	44	WP-0612056-SD	Washer, for rubber cushion	1
22	B-3030-280-000A	Safety plate	1	45	NS-6150440-SP	Pressure spring adjusting nut, large	1
23	SS-6111440-SP	Screw	1	9A	NS-6150310-SP	Pressure spring adjusting nut, small	1
48A	B-3035-280-000	Slide block	1	46	B-2601-280-0A0A	Stop-motion lever	1
49	B-3036-280-000	Latch	1	47	WP-0751576-SD	Washer, for rubber cushion	1



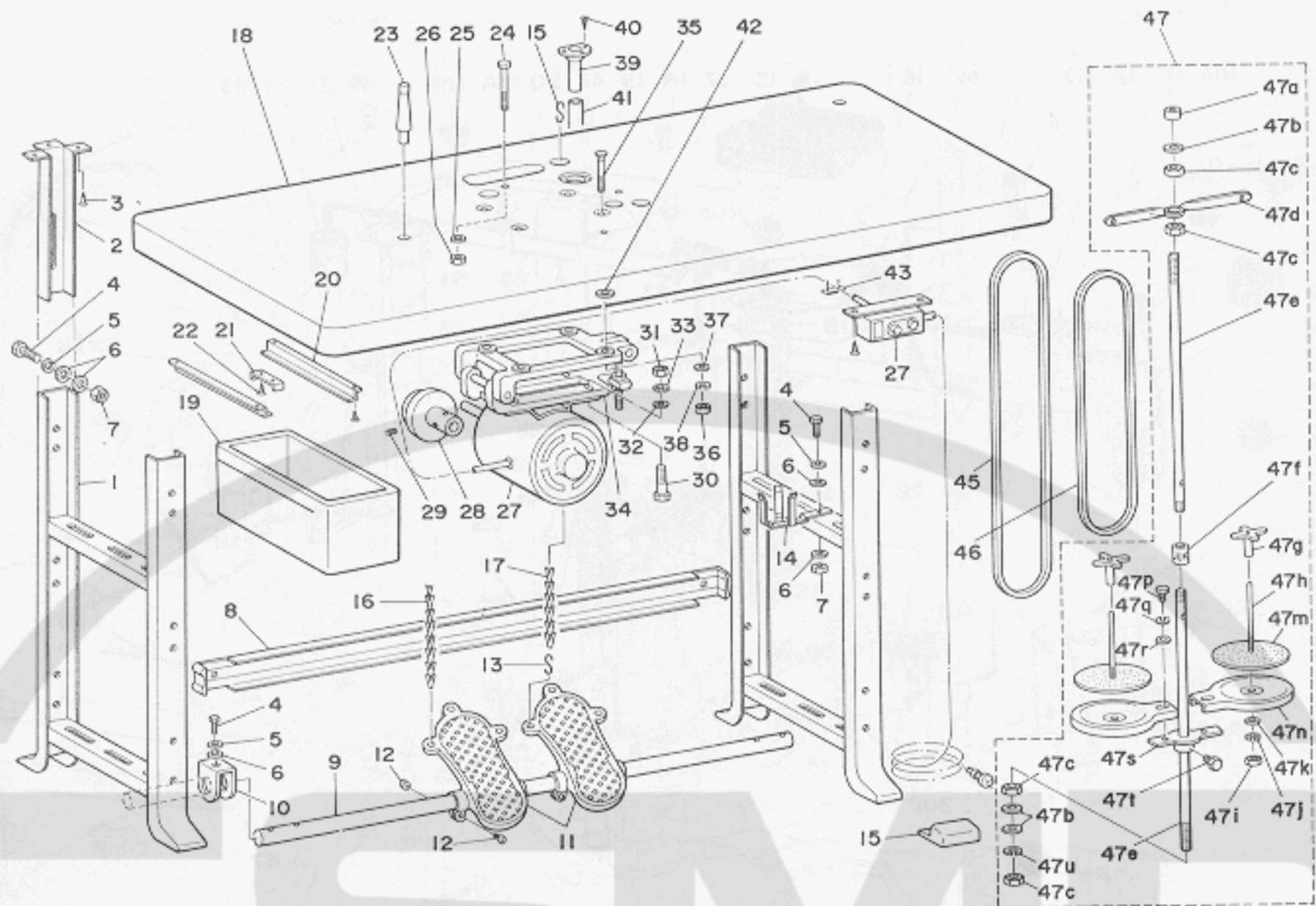
# 11. OIL LUBRICATION MECHANISM COMPONENTS

15 TABLE COMPONENTS



Ref. No.	Part No.	Description	Amt. Req.	Ref. No.	Part No.	Description	Amt. Req.
1	B-3507-280-000	Oil felt	1	25	B-3521-280-000	Oil sponge, for gear	1
2	B-1179-552-000	Face plate rubber plug	1	26	BP-6000000-00	Vinyl tube, 6 φ	1
3	B-3506-280-000	Oil wick holder, for needle bar crank	1	27	B-3213-232-000	Oil felt, for worm	1
4	SS-7110910-SP	. . . Screw	2	28	BP-8000000-00	Vinyl tube, 8 φ	1
5	B-3509-280-000	Oil sponge	4	29	SS-7090320-SP	Oil sponge set screw	1
6	B-1159-581-000	Rubber plug, large	1	30	WP-0480856-SP	. . . Washer, small	2
7	CQ-2520000-00	Oil wick	1	31	B-3538-112-000	Oil wick presser plate	1
8	B-1419-026-000	. . . Holder	3	18C	SS-7110710-SP	. . . Screw	1
9	B-1165-415-000	Rubber plug, for counterweight set screw	1	33	B-3517-280-000	Oil sponge, for feed driving arm	2
10A	B-1187-552-000	Rubber plug, medium	3	36	B-3541-012-000	Oil return felt	1
10B	B-1187-552-000	Rubber plug, for top cover	1	37	B-3504-280-000	Oil felt, for shuttle race	1
11	B-3518-280-000	Oil sponge, for take-up lever	1	38	B-3505-280-000	. . . Presser plate	1
12	B-3508-280-000	. . . Holder	1	39	SS-6090510-TP	. . . . . Screw	2
13	SS-6092120-SP	. . . . . Screw	1	31A	B-3523-280-000	Oil wick holder	1
14	B-3501-280-000	Oil tank	1	18B	SS-7110710-SP	. . . Screw	1
15	B-3502-280-000	. . . Felt	1	40	B-3522-280-000	Oil wick holder	1
16	SS-7090520-SP	. . . Screw	2	41	B-3503-280-000	Oil drip felt	1
17	B-3523-280-000	Oil tube holder	1	42	B-3539-112-000	Oil wick holder	1
18	SS-7110710-SP	. . . Screw	1	43	SS-6111140-SP	Oil felt set screw	1
19	B-3510-280-000	Oil felt installing plate, for worm	1	44	WP-0520656-SA	Oil sponge set washer	1
4A	SS-7110910-SP	. . . Screw	2	45	B-3515-280-000	Oil wick supporting felt	1
20	B-3523-280-000	Oil tube holder	3	46	B-3513-280-000	Oil felt supporting plate	1
18A	SS-7110710-SP	. . . Screw	3	4D	SS-7110910-SP	. . . Screw	2
21	B-3512-280-000	Oil felt installing plate	1	47	B-3524-280-000	Oil guard	1
4B	SS-7110910-SP	. . . Screw	2	4C	SS-7110910-SP	. . . Screw	1
22	B-3519-280-000	Oil felt, for main shaft rear bushing	1				

# 12. TABLE COMPONENTS



Ref. No.	Part No.	Description	Amt. Req.	Ref. No.	Part No.	Description	Amt. Req.
*	B-8101-232-0B0	Table leg asm. (No. 1-15)	1	(31)	NM-6060001-SE	... Nut	(4)
1	B-8101-012-0A0	Table legs	(2)	(32)	WP-0611616-SC	... Washer	(4)
2	B-8120-012-000	Height adjusting extension	(4)	(33)	WS-0621210-KR	... Spring washer	(4)
3	SK-1483200-SE	... Screw	(13)	(34)	B-7101-761-BA0	Motor installing base asm.	1
4	SM-9062023-SE	... Clamp screw	(15)	*	MTJ-MS00000S	Motor installing base set bolt asm.	4
5	WS-0861410-KR	... Spring washer	(13)	35	MTJ-MS000000	Motor installing base set bolt	(4)
6	WP-0871602-SE	... Washer	(8)	36	NS-6200710-SN	... Nut	(4)
7	NM-6080721-SE	... Nut	(13)	37	WP-0850002-SC	... Washer	(4)
8	B-8122-012-000	Leg side support	(2)	38	WS-0902010-KN	... Spring washer	(4)
9	B-8123-012-000	Leg bottom support	(1)	39	B-8236-771-000	Oil drain funnel	1
10	B-8124-012-000	... Bracket	(2)	40	SK-1211000-SC	... Screw	3
11	B-8101-232-000	Pedal	(2)	41	B-8103-771-000	Oil drain tube	1
12	B-8102-232-0A0	... Thrust collar	(2)	42	MTJ-MGC00000	Motor rubber cushion	4
13	B-8133-019-000	S-shaped hook	(4)	43	B-7108-012-000	Staple	5
14	B-8126-012-0A0	Oiler holder	(1)	45	MTJ-VM004700	V-belt, for driving 2,000 s.p.m. (50 Hz)	1
15	B-8140-012-000	Rubber cushion	(4)		MTJ-VM004600	V-belt, for driving 1,700 s.p.m. (50 Hz)	
16	B-8103-232-000	Chain A (accessory part for head)	(1)		MTJ-VM004500	V-belt, for driving 1,400 s.p.m. (50 Hz)	
17	B-8131-019-000	Chain B (accessory part for head)	(1)		MTJ-VM004700	V-belt, for driving 2,000, 1,700 s.p.m. (60 Hz)	
*	B-8201-280-0A0	Table top asm. (No. 18-26)	1		MTJ-VM004400	V-belt, 1,400 s.p.m. (60 Hz)	
18	B-8201-280-000	Table top	(1)	46	MTJ-VM003500	V-belt, for pressure decreasing 2,000 s.p.m. (50 Hz)	1
19	B-8203-012-000	Drawer	(1)		MTJ-VM003400	V-belt, for pressure decreasing 1,700 s.p.m. (50 Hz)	
20	B-8204-012-0A0	... Support	(2)		MTJ-VM003400	V-belt, for pressure decreasing 1,400 s.p.m. (50 Hz)	
21	B-8205-012-000	... Stopper	(1)		MTJ-VM003500	V-belt, for pressure decreasing 1,700 s.p.m. (60 Hz)	
22	SK-3482500-SC	... Screw	(2)		MTJ-VM003500	V-belt, for pressure decreasing 2,000 s.p.m. (60 Hz)	
23	B-8216-012-0A0	Head support	(1)	* 47	D-3301-555-BA0	Thread unwinder complete	1
*	BNE-GSET0001	Head base set bolt asm. (No. 24-26)	3	47a	B-3311-704-000	Thread guide rod rubber cap	(1)
24	SS-9156830-CP	Head base set bolt	(3)	47b	WP-1702600-S0	Thread guide position washer	(3)
25	WP-0612056-SD	... Washer	(3)	47c	NM-6160511-SE	Thread guide position nut	(4)
26	NS-6150310-SP	... Nut	(3)	47d	D-3307-555-B00	Thread	(1)
27	MTG-4200020S	Motor complete (with power source switch)	1	47e	B-3301-704-000	Thread guide rod	(2)
	MTH4380020S	Completely enclosed motor (380V)	(1)	47f	B-3305-704-000	... Set collar	(1)
	MSH4220020S	Completely enclosed motor (220V)	(1)	47g	B-3312-012-000	Spool pin washer (rubber)	(2)
28	B-7101-280-000	Motor pulley 2,000 s.p.m. (50 Hz)	1	47h	B-3305-012-000	Spool pin	(2)
	B-7101-280-00B	Motor pulley 1,700 s.p.m. (50 Hz)		47i	NS-6123881-SE	... Nut	(2)
	B-7101-280-00C	Motor pulley 1,400 s.p.m. (50 Hz)		47j	WS-0521010-KN	... Spring washer	(2)
	B-7102-280-000	Motor pulley 2,000 s.p.m. (60 Hz)		47k	WP-0560860-SE	... Washer	(2)
	B-7102-280-00B	Motor pulley 1,700 s.p.m. (60 Hz)		47m	B-3311-012-000	Spool cap	(2)
	B-7102-280-00C	Motor pulley 1,400 s.p.m. (60 Hz)		47n	B-3303-704-000	Spool rest	(2)
29	SS-9151160-CP	... Screw	2	47p	SM-9050813-SE	... Screw	(2)
*	BNE-GSET0002	Motor set bolt asm.	4	47q	WS-0521010-KN	... Spring washer	(2)
30	SM-9063813-SN	Motor set bolt	(4)	47r	WP-0520656-SA	... Washer	(2)
31	NM-6080710-SN	... Nut	(4)	47s	D-3302-555-B00	... Bracket	(1)
32	WP-0950002-SC	... Washer	(4)	47t	SM-9061080-SE	... Screw	(1)
33	WS-0902010-KN	... Spring washer	(4)	47u	WS-1643202-KN	Thread guide rod set spring washer	(1)
*	BNE-GSET0003	Completely enclosed motor set bolt asm.	(4)				
(30)	SM-9063213-CN	Completely enclosed motor set bolt	(4)				







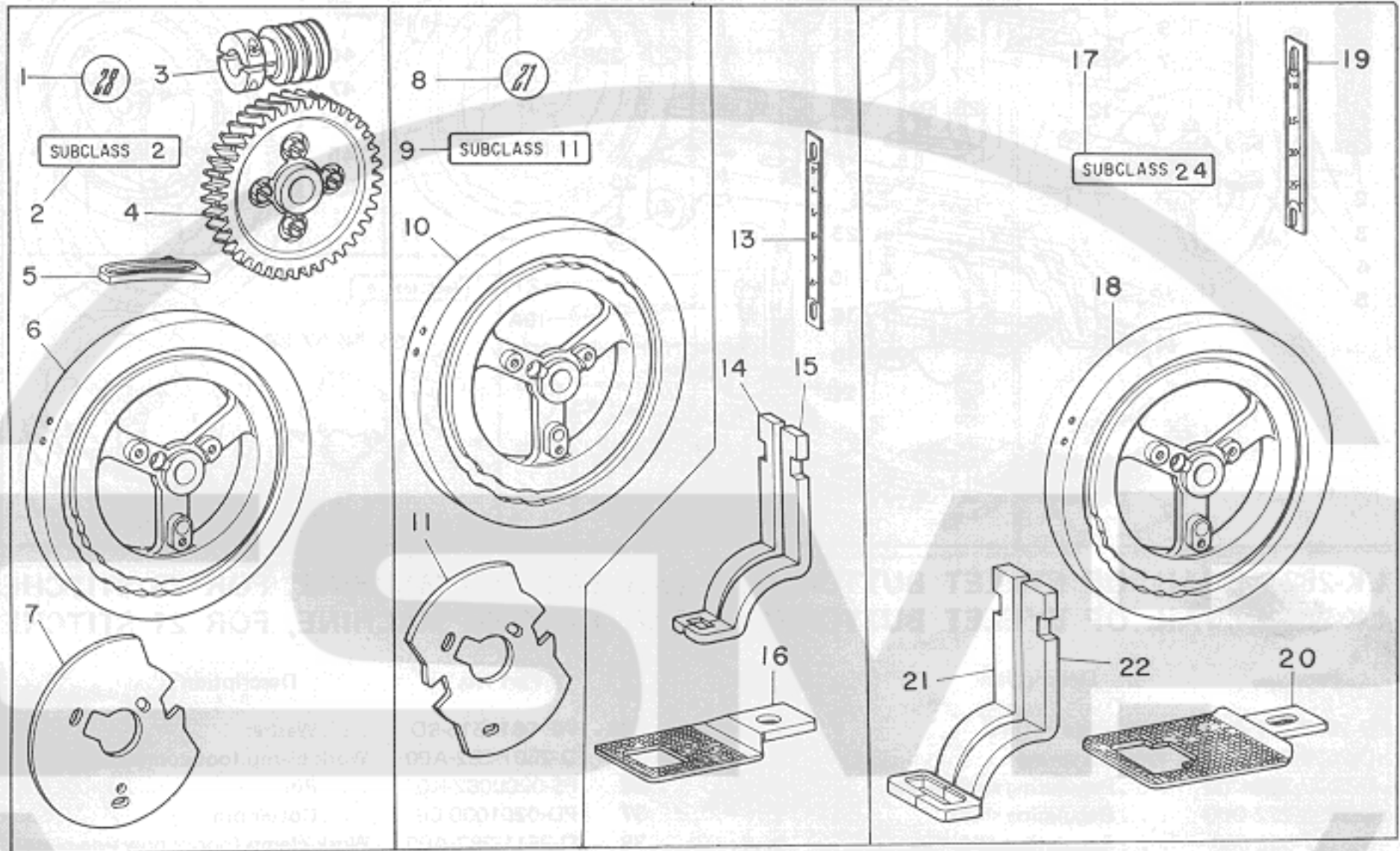
Part No.	Page	Ref. No.	Part No.	Page	Ref. No.	Part No.	Page	Ref. No.	Part No.	Page	Ref. No.	Part No.	Page	Ref. No.
B3503-280-000	12-41		THRUST COLLAR			HINGE SCREW			SS-6121212-TP	10-21		SS-8151150-TP	5-5	
B3504-280-000	12-37		CS-0791016-SH	6-2		SD-0450211-SP	5-11		SS-6151220-SP	6-33		SS-8151230-SP	10-36	
B3505-280-000	12-38		CS-0800816-SH	6-11		SD-0500091-TP	7-16		SS-6151440-SP	11-37		SS-8151350-SP	8-31	
B3506-280-000	12-3		CS-1401113-TH	4-33		SD-0500481-TP	5-17		SS-6151780-SP	1-18		SS-8152030-SP	4-44	
B3507-280-000	12-1					SD-0600321-SP	10-32		SS-6152440-SP	7-30		SS-8660610-TP	4-58	
B3508-280-000	12-12		NEEDLE			SD-0600452-TP	9-11		SS-6153040-SP	1-20		SS-8660610-TP	10-44	
B3509-280-000	12-5		MDP-500B1600	2-18		SD-0640211-SP	5-32		SS-6153040-SP	1-51		SS-8660810-TP	10-38	
B3510-280-000	12-19					SD-0640323-TP	11-35		SS-6660710-TP	4-34		SS-8660820-TP	4-70	
B3511-280-000	12-23		MOTOR			SD-0640602-SP	9-35		SS-6741010-SP	1-37		SS-8680730-SP	1-4	
B3512-280-000	12-21		MTG-4200020S	13-27		SD-0650305-TP	7-20		SS-7080510-SP	2-19		SS-9111510-SP	5-25	
B3513-280-000	12-46		MTH-4380020S	13-27		SD-0700251-SP	11-28		SS-7090320-SP	12-29		SS-9121410-TP	8-28	
B3515-280-000	12-45		MSH-4220020S	13-27		SD-0720193-SP	2-36		SS-7090410-SP	7-6		SS-9150710-TP	8-2	
B3517-280-000	12-33					SD-0720331-SP	1-46		SS-7090520-SP	12-16		SS-9151120-CP	11-5	
B3518-280-000	12-11		RUBBER CUSHION			SD-0720331-SP	11-19		SS-7090520-TP	5-10		SS-9151120-CP	11-5A	
B3519-280-000	12-22		MTJ-MGC00000	13-42		SD-0720332-SP	9-45		SS-7090620-SP	5-21		SS-9151120-CP	8-41	
B3520-280-000	11-7					SD-0790303-SP	7-19		SS-7090710-SP	1-12		SS-9151120-CP	8-41A	
B3521-280-000	12-25		BOLT			SD-0790361-SP	10-10		SS-7090910-TP	4-31		SS-9151160-CP	13-29	
B3522-280-000	12-40		MTJ-MS00000S	13-*		SD-0790431-SP	9-40		SS-7090910-TP	4-31A		SS-9151440-CP	11-39	
B3523-280-000	12-17		MTJ-MS00000	13-35		SD-0790433-TP	8-25		SS-7110410-SP	1-9		SS-9151630-CP	8-39	
B3523-280-000	12-20					SD-0790511-SP	11-17		SS-7110410-SP	2-35		SS-9151630-CP	9-19	
B3523-280-000	12-31A		V-BELT			SD-0791501-SP	2-31		SS-7110510-SP	8-18		SS-9151910-SN	8-15	
B3524-280-000	12-47		MTJ-VM003400	13-46		SD-0800271-SP	10-15		SS-7110510-SP	10-2		SS-9152130-CP	10-42	
B3538-112-000	12-31		MTJ-VM003400	13-46		SD-0801021-TP	6-38		SS-7110510-TP	6-32		SS-9156830-CP	13-24	
B3539-112-000	12-42		MTJ-VM003500	13-46					SS-7110510-SP	7-13		SS-9660940-SP	9-22	
B3541-012-000	12-36		MTJ-VM003500	13-46		SCREW			SS-7110710-SP	1-34		SS-9660940-SP	9-22A	
B7101-280-000	13-28		MTJ-VM003500	13-46		SK-1211000-SC	13-40		SS-7110710-SP	1-53		SS-9661230-CP	8-22	
B7101-280-00B	13-28		MTJ-VM004400	13-45		SK-1483200-SE	13-3		SS-7110710-SP	9-30		SS-9661230-CP	4-59	
B7101-280-00C	13-28		MTJ-VM004500	13-45		SK-3482500-SC	13-22		SS-7110710-SP	12-18				
B7101-761-BA0	13-134		MTJ-VM004600	13-45		SM-6081542-CP	8-51		SS-7110710-SP	12-18A		WASHER		
B7102-280-000	13-28		MTJ-VM004700	13-45		SM-9050813-SE	13-47p		SS-7110710-SP	12-18B		WP-0450801-SD	10-5	
B7102-280-00B	13-28		MTJ-VM004700	13-45		SM-9061080-SE	13-47t		SS-7110710-SP	12-18C		WP-0480856-SP	10-48	
B7102-280-00C	13-28					SM-9063213-CN	13-(30)		SS-7110720-SP	7-26		WP-0480856-SP	12-30	
B7108-012-000	13-43		NUT			SM-9082023-SE	13-4		SS-7110740-TP	5-8		WP-0501016-SD	1-30	
B8101-232-000	13-11		NM-6060001-SE	13-(31)		SM-9083813-SN	13-30		SS-7110740-TP	8-12		WP-0501016-SD	8-21	
B8101-012-0A0	13-1		NM-6080721-SE	13-7		SS-1090920-SP	8-37		SS-7110840-SP	5-30		WP-0520656-SA	5-18	
B8101-232-0B0	13-*		NM-6080710-SN	13-31		SS-1110640-TP	4-17		SS-7110910-SP	2-34		WP-0520656-SA	12-44	
B8102-232-0A0	13-12		NM-6160511-SE	13-47c		SS-1110640-TP	7-2		SS-7110910-SP	12-4		WP-0520656-SA	13-47r	
B8103-232-000	13-16		NS-6110310-SP	2-42		SS-1110821-TP	8-7		SS-7110910-SP	12-4A		WP-0560860-SE	13-47k	
B8120-012-000	13-2		NS-6110420-SP	2-38		SS-1110840-SP	1-41		SS-7110910-SP	12-4B		WP-0611616-SC	13-32	
B8122-012-000	13-8		NS-6110530-SP	2-37		SS-2060220-SP	7-4		SS-7110910-SP	12-4C		WP-0612056-SD	11-16	
B8123-012-000	13-9		NS-6120310-SP	7-21		SS-2060320-SP	6-8c		SS-7110910-SP	12-4D		WP-0612056-SD	11-42	
B8124-012-000	13-10		NS-6123881-SE	13-47i		SS-2060510-SP	2-17		SS-7110910-TP	9-33c		WP-0612056-SD	11-44	
B8126-012-0A0	13-14		NS-6150310-SP	1-16		SS-2110910-SL	8-10		SS-7111110-SP	6-18		WP-0612056-SD	13-25	
B8131-019-000	13-17		NS-6150310-SP	2-32		SS-2110920-TP	9-28		SS-7111120-SP	1-2		WP-0612516-SD	8-16	
B8133-019-000	13-13		NS-6150310-SP	2-39		SS-3090510-SP	8-54		SS-7111120-SP	10-47		WP-0612516-SD	8-62	
B8140-012-000	13-15		NS-6150310-SP	5-6		SS-3090610-SP	1-57		SS-7111310-SP	1-23		WP-0621016-SD	9-20	
B8201-280-000	13-18		NS-6150310-SP	8-26		SS-5090610-SP	5-22		SS-7112420-SP	8-8		WP-0621016-SD	11-6	
B8201-280-0A0	13-*		NS-6150310-SP	8-35		SS-6060410-TP	6-30		SS-7120910-SP	9-13		WP-0621016-SD	11-6A	
B8203-012-000	13-19		NS-6150310-SP	9-46		SS-6090510-TP	12-39		SS-7120910-SP	9-26		WP-0621016-SD	11-10	
B8204-012-0A0	13-20		NS-6150310-SP	11-9		SS-6080610-TP	4-14		SS-7150740-SP	1-14		WP-0621016-SD	11-40	
B8205-012-000	13-21		NS-6150310-SP	11-9A		SS-6090630-SP	11-8		SS-7150740-SP	10-40		WP-0650876-SD	8-63	
B8216-012-0A0	13-23		NS-6150310-SP	13-26		SS-6090640-SP	10-26		SS-7150940-SP	2-8		WP-0651056-SD	2-33	
B8219-125-000	1-38		NS-6150320-SP	10-50		SS-6090670-TP	2-14		SS-7150940-SP	2-48		WP-0651056-SD	8-3	
B8236-771-000	13-39		NS-6150440-SP	11-45		SS-6090680-TP	4-26		SS-7150940-SP	6-6		WP-0651056-SD	8-48	
B9103-771-000	13-41		NS-6150540-SP	11-38		SS-6092120-SP	12-13		SS-7151120-SP	4-62		WP-0751576-SD	11-47	
BNE-GSET0001	13-*		NS-6200710-SN	13-36		SS-6110420-TP	6-12		SS-7151210-SP	1-39		WP-0850002-SC	13-32	
BNE-GSET0002	13-*		NS-6361040-SP	8-60		SS-6110430-TP	7-12		SS-7151210-SP	2-40		WP-0850002-SC	13-37	
BNE-GSET0003	13-*		NS-6660430-SP	6-4		SS-6110610-TP	11-25		SS-7151210-SP	5-4		WP-0871602-SE	13-6	
D3301-555-BA0	13-47		NS-6660430-SP	8-35A		SS-6110620-TP	9-8		SS-7151330-SP	11-15		WP-1702600-S0	13-47b	
D3302-555-B00	13-47s		NS-6660511-SP	8-45		SS-6110630-TP	9-42		SS-7151330-SP	11-41				
D3307-555-B00	13-47d		NS-6660511-SP	8-64		SS-6111010-TP	1-47		SS-7681750-TP	4-61		SPRING WASHER		
			NS-6740510-SP	4-50		SS-6111010-TP	6-36		SS-8090610-SP	5-23h		WS-0441040-KP	4-14b	
			NS-6740510-SP	9-44		SS-6111010-TP	10-4		SS-8110510-SP	10-29		WS-0451040-KP	9-33d	
VINYL TUBE						SS-6111110-SP	9-31		SS-8110520-TP	6-3		WS-0521010-KN	13-47i	
BP-3000000-00	12-24					SS-6111140-SP	12-43		SS-8150310-SP	2-12		WS-0521010-KN	13-47j	
BP-6000000-00	12-26		PIN			SS-6111210-SP	1-28		SS-8151150-TP	1-36		WS-0621210-KR	13-(33)	
BP-8000000-00	12-28		PS-0300201-KP	5-13		PT-0402200-C0	10-30		SS-8151150-SP	4-37		WS-0861410-KR	13-5	
			PT-0402200-C0	10-30		PT-0402200-SH	10-17		SS-8151150-SP	4-65		WS-0902010-KN	13-33	
OIL WICK			PT-0402200-SH	10-17		PT-0503200-SH	4-71		SS-8151150-SP	4-65A		WS-0902010-KN	13-38	
CQ-2520000-00	12-7		PT-0503200-SH	4-71		PT-0603800-TH	4-46		SS-6121212-TP	10-49		WS-1643202-KN	13-47u	
			PT-0603800-TH	4-46		SS-6121212-TP	9-3		SS-8151150-SP					



# 14. MODEL LK-282 · LK-284 SUBCLASS PARTS BOOK

## CONTENTS

1. LK-282-2 . . . . .	16	6. LK-282-3 . . . . .	18
2. LK-284-11 . . . . .	16	7. LK-284-6 . . . . .	18
3. LK-284-24 . . . . .	16	8. LK-282-5 . . . . .	18
4. LK-282-1 . . . . .	17	9. LK-282-20 . . . . .	19
5. LK-284-4 . . . . .	17	10. LK-284-10 . . . . .	19



### 1. LK-282-2 SMALL SIZE BAR TACKING MACHINE, FOR 28 STITCHES

Ref. No.	Part No.	Description	Amt. Req.
1	B-1116-322-000	Stitch number plate, for 28 stitches	1
2	B-LKSUB000-02	Subclass number plate 2	1
3	D-2205-282-A00	Feed cam driving worm	1
4	D-2204-282-A00	Feed cam driving worm wheel	1
5	D-2304-282-A00	Tension release link tripping segment	1
6	D-2209-282-A00	Feed cam, (groove width 9.5 mm) (previous part)	(1)
	D-2209-282-A00A	Feed cam (groove width 11 mm) (new part)	1
7	D-2612-282-A00	Stop-motion regulating cam	1
13	D-2529-282-A00	Feed scale	1
14	D-2551-282-B00	Work clamp foot, right	1
15	D-2552-282-B00	Work clamp foot, left	1
16	D-2519-282-B00	Feed plate	1
○		All parts not mentioned above are same as those of Model LK-280.	

### 2. LK-284-11 SMALL SIZE BAR TACKING MACHINE, FOR 21 STITCHES

8	D-1116-232-B00	Stitch number plate, for 21 stitches	1
9	B-LKSUB000-11	Subclass number plate 11	1
10	D-2209-284-D00	Feed cam (groove width 9.5 mm) (previous part)	(1)
	D-2209-284-D00A	Feed cam (groove width 11 mm)	

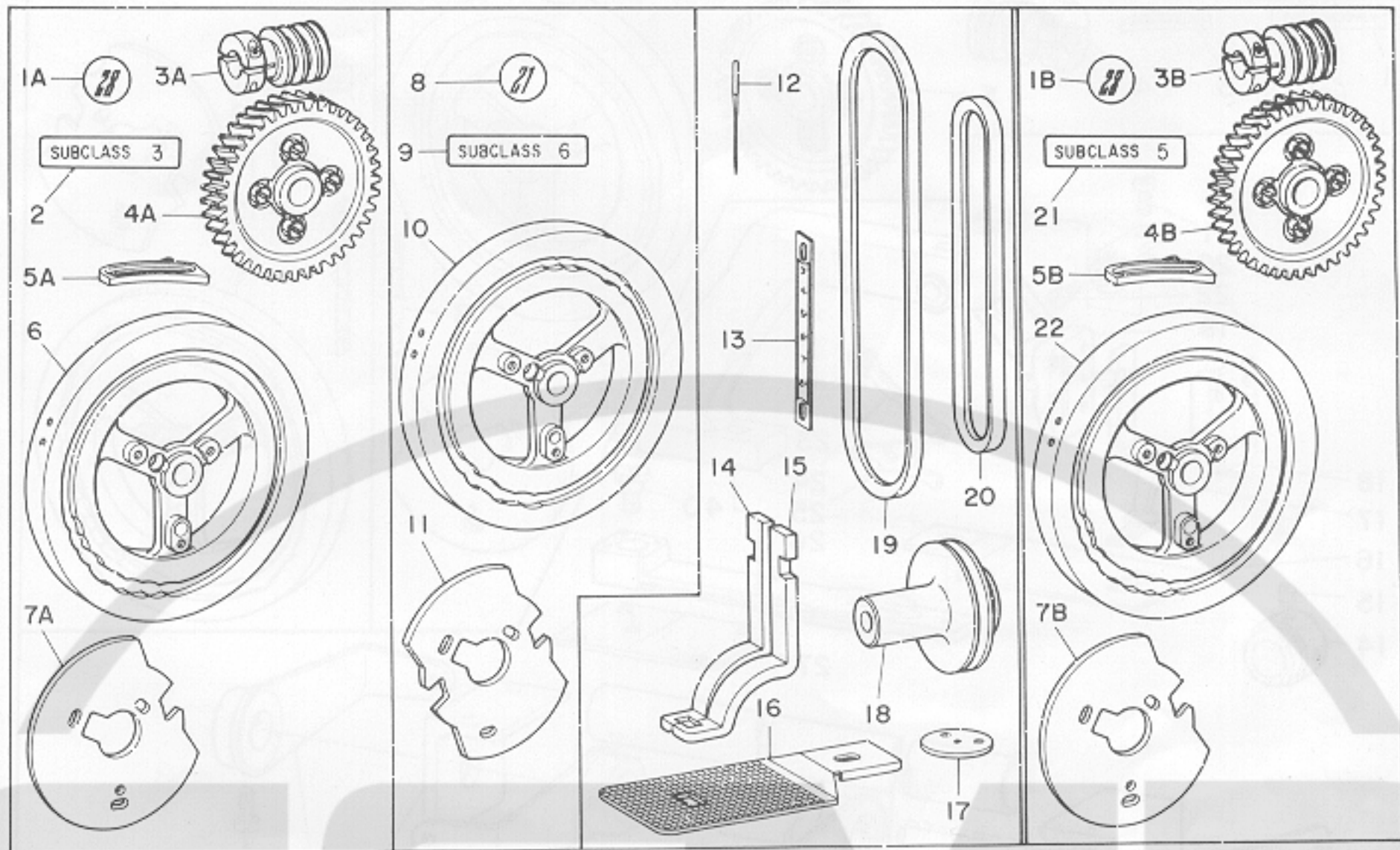
Ref. No.	Part No.	Description	Amt. Req.
13	D-2529-282-A00	Feed scale	1
14	D-2551-282-B00	Work clamp foot, right	1
15	D-2552-282-B00	Work clamp foot, left	1
16	D-2519-282-B00	Feed plate	1
○		All parts not mentioned above are same as those of Model LK-280.	

### 3. LK-284-24 LARGEST SIZE BAR TACKING MACHINE

17	B-LKSUB000-24	Subclass number plate 24	1
18	D-2209-284-Z00	Feed cam (groove width 9.5 mm) (previous part)	(1)
	D-2209-284-Z00A	Feed cam (groove width 11 mm) (new part)	1
19	D-2529-L2A-F00	Feed scale	1
20	D-2519-284-Z00	Feed plate	1
21	D-2551-284-Z00	Work clamp foot, right	1
22	D-2552-284-Z00	Work clamp foot, left	1
○		All parts not mentioned above are same as those of Model LK-280.	





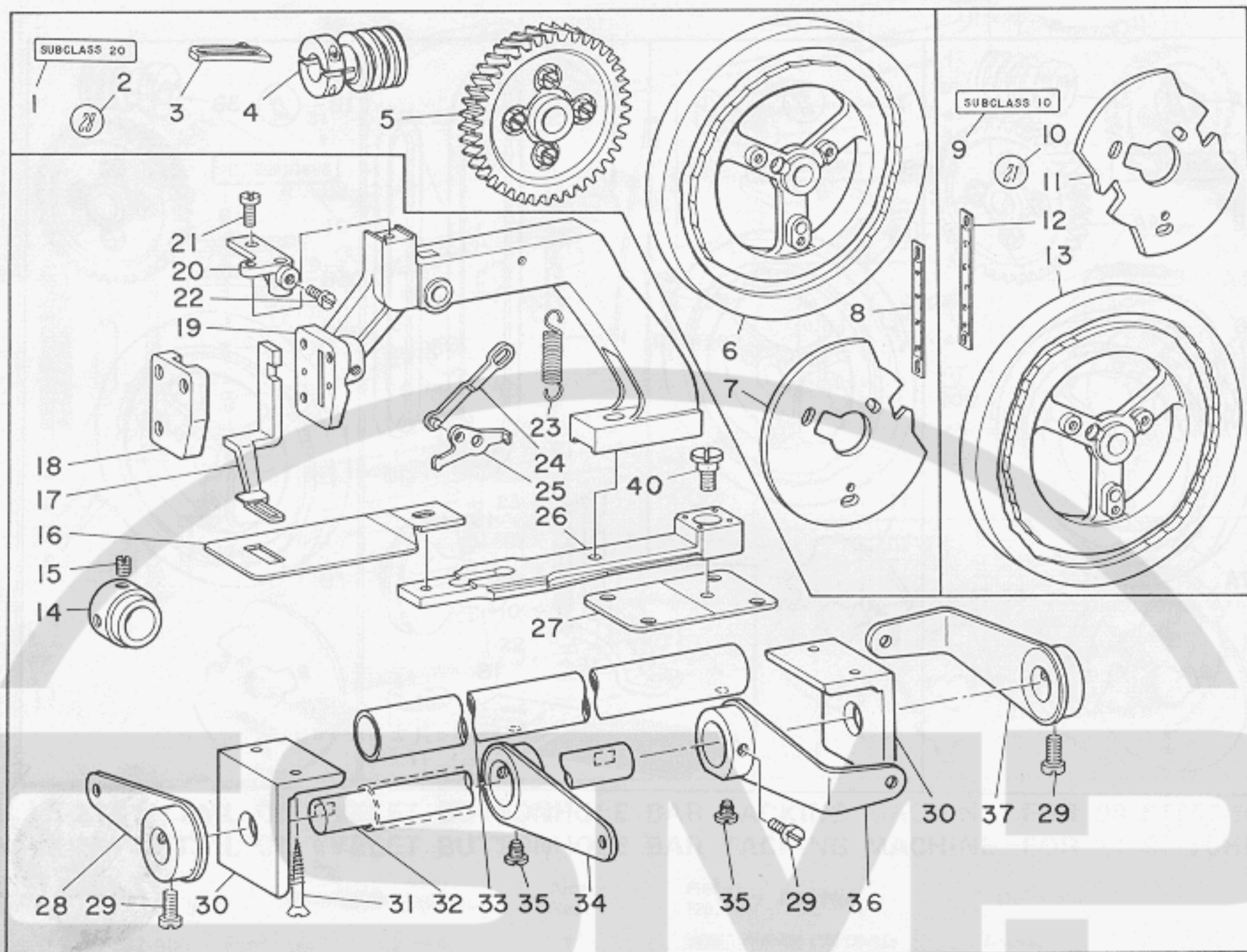


**6. LK-282-3 KNIT GOODS BAR TACKING MACHINE, FOR 28 STITCHES**

**7. LK-284-6 KNIT GOODS BAR TACKING MACHINE, FOR 21 STITCHES**

Ref. No.	Part No.	Description	Amt. Req.	Ref. No.	Part No.	Description	Amt. Req.
<b>LK-282-3 Exclusive parts, for 28 stitches</b>							
1A	B-1116-322-000	Stitch number plate, for 28 stitches	1	14	D-2552-284-C00	Work clamp foot, left	1
2	B-LKSUB000-03	Subclass number plate 3	1	15	D-2551-282-C00	Work clamp foot, right	1
3A	D-2205-282-A00	Feed cam driving worm	1	16	D-2519-282-C00	Feed plate	1
4A	D-2204-282-A00	Feed cam driving worm wheel	1	17	D-2426-282-C00	Needle plate needle hole guide	1
5A	D-2304-282-A00	Tension release link tripping segment	1	18	B-7101-280-00B	Motor pulley 1,700 s.p.m. (50 HZ)	1
6	D-2209-282-C00	Feed cam (groove width 9.5 mm) (previous part)	(1)	18	B-7102-280-00B	Motor pulley 1,700 s.p.m. (60 HZ)	1
	D-2209-282-C00A	Feed cam (groove width 11 mm) (new part)	1	19	MTJ-VM004600	V-belt, for driving 1,700 s.p.m. (50 HZ)	1
7A	D-2612-282-A00	Stop-motion regulating cam	1		MTJ-VM004500	V-belt, for driving 1,700 s.p.m. (60 HZ)	1
<b>LK-284-6 Exclusive parts, for 21 stitches</b>							
8	D-1116-232-B00	Stitch number plate, for 21 stitches	1	20	MTJ-VM003400	V-belt, for driving 1,700 s.p.m. (50 HZ, 60 HZ)	1
9	B-LKSUB000-06	Subclass number plate 6	1	<b>8. LK-282-5 LARGE BARTACKING MACHINE</b>			
10	D-2209-284-F00	Feed cam (groove width 9.5 mm) (previous part)	(1)	1B	B-1116-322-000	Stitch number plate, for 28 stitches	1
	D-2209-284-F00A	Feed cam (groove width 11 mm) (new part)	1	21	B-LKSUB000-05	Subclass number plate 5	1
11	D-2612-284-D00	Stop-motion regulating cam	1	3B	D-2205-282-A00	Feed cam driving worm	1
<b>Common parts, for knit goods bar tacking machine</b>							
12	M-DP500-B1104	Needle DPx5 #11	1	4B	D-2204-282-A00	Feed cam driving worm wheel	1
13	D-2529-282-A00	Feed scale	1	5B	D-2304-282-A00	Tension release link tripping segment	1
				22	D-2209-282-E00	Feed cam (groove width 9.5 mm) (previous part)	(1)
					D-2209-282-E00A	Feed cam (groove width 11 mm) (new part)	1
				7B	D-2612-282-A00	Stop-motion regulating cam	1
				○ All parts not mentioned above are same as those of Model LK-280.			





9. LK-282-20 BAND LOOP BAR TACKING MACHINE FOR 28 STITCHES  
 10. LK-284-10 BAND LOOP BAR TACKING MACHINE FOR 21 STITCHES

Ref. No.	Part No.	Description	Amt. Req.	Ref. No.	Part No.	Description	Amt. Req.
<b>LK-282-20 Exclusive parts</b>				<b>LK-284-10 Exclusive parts</b>			
1	B-LKSUB000-20	Subclass number plate 20	1	9	B-LKSUB000-10	Subclass number plate 10	1
2	B-1116-322-000	Stitch number plate, for 28 stitches	1	10	B-1116-322-000	Stitch number plate, for 21 stitches	1
3	D-2304-282-A00	Tension release link tripping segment	1	11	D-2612-284-D00	Stop-motion regulating cam	1
4	D-2205-282-A00	Feed cam driving worm	1	12	D-2529-284-K00	Feed scale	1
5	D-2204-282-A00	Feed cam driving worm wheel	1	13	D-2209-284-K00	Feed cam (groove width 9.5 mm) (previous part)	(1)
6	D-2209-282-V00	Feed cam (groove width 9.5 mm) (previous part)	(1)		D-2209-284-K00A	Feed cam (groove width 11 mm) (new part)	1
	D-2209-282-V00A	Feed cam (groove width 11 mm) (new part)	1	7	D-2612-282-A00	Stop-motion regulating cam	1
7	D-2612-282-A00	Stop-motion regulating cam	1	8	D-2529-284-K00	Feed scale	1
8	D-2529-284-K00	Feed scale	1	16	D-2519-284-K00	Feed plate	1
				17	D-2551-284-K00	Work clamp foot	1
				18	D-2547-284-K00	Work clamp foot face plate	1
				19	D-2536-284-K00	Work clamp foot mounting base	1
				20	D-2546-284-K00	Pressure spring suspension	1
				21	SS-7151210-SP	... Screw	1
				22	SS-7110740-TP	Screw, for ball retainer	1
				23	D-2545-284-K00	Pressure spring	1
				24	D-2540-284-K00	Work clamp foot lifting link	1
				25	D-2543-284-K00	Work clamp foot hook, left	1
				26	D-2518-284-K00	Feed plate carrier bar	1
				40	SD-0790402-TP	... Hinge screw	1
				27	D-2515-284-K00	... Guide plate	1
				28	D-3407-284-KAB	Pressure decreasing pedal lever (small) asm.	1
				29	SS-6661110-SP	Screw, for pedal lever	6
				30	D-3403-284-K00	Pedal connecting rod bracket	2
				31	SK-1413200-SC	... Screw	4
				32	D-3401-284-K00	Pressure decreasing pedal connecting rod	1
				33	D-3402-284-KA0	Starting pedal pipe asm.	1
				34	D-3407-284-KAA	Starting pedal lever (small) asm.	1
				35	D-3408-284-K00	Screw, B, for starting pedal	2
				36	D-3406-284-KAA	Starting pedal lever (large) asm.	2
				37	D-3406-284-KAB	Pressure decreasing pedal lever (large) asm.	1
<b>LK-282-20-LK-284-10 Common parts</b>					D-8201-284-K00	Table, for band loop bar tacking machine	(1)
14	D-2560-284-K00	Feed rod thrust collar	1				
15	SS-8150710-TP	... Screw	2				